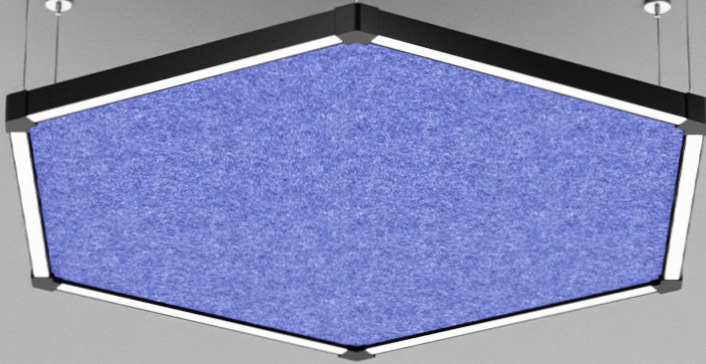
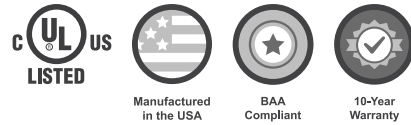


ACOUSTIC SERIES



DATE PROJECT

COMMENTS



AVAILABLE GEO SHAPES



GEO PLANE SUSPENDED DIRECT WITH ACOUSTIC

AN EXTENSION OF OUR ACOUSTIC & GEO SERIES

The GEO Plane series is an architectural fusion of light and sound. Combined with GEO, PLANE provides specifiers with a creative lighting option to add depth and shape to a space while incorporating high acoustical performance and top-line aesthetics. Pair with unlit PLANE to provide substantial sound dampening for a wide variety of commercial, civic, and educational spaces.

SOUND DAMPENING RATING

Sound Absorption: Average NRC 1.4 (Subject to mounting conditions)

VERSATILITY

Lumen intensities range from 125-1000 lm/ft in 3000K, 3500K & 4000K CCT provides specifiers with accurate and powerful levels of illumination and color within each space. Supplied with remote power unit with easy to access wiring compartments

OPTICS

A seamless and elegant roll in lens for the direct illumination provides uniform light distribution, controls glare, and eliminates light leaks.

SAMPLE PART NUMBER: GEOP-D-PARA13-HD-30-UNV-T1-WH-01

ORDERING

SERIES	PATTERN	DIRECT OUTPUT	CCT	VOLTAGE	MOUNTING	FIXTURE COLOR		
GEOP-D	PARA13 1' x 3' PARALLELOGRAM	REC14 1' x 4' RECTANGLE	TRI-2 2' TRIANGLE	HD 1000 LM/FT	30 3000K	UNV 120-277V	T1 1" Grid	WH White
	PARA14 1' x 4' PARALLELOGRAM	REC16 1' x 6' RECTANGLE	TRI-3 3' TRIANGLE	MD 750 LM/FT	35 3500K	347' 347V	T9 9/16" Grid	BLK Black
	PARA16 1' x 6' PARALLELOGRAM	REC23 2' x 3' RECTANGLE	TRI4 4' TRIANGLE	LD 500 LM/FT	40 4000K		SC Screw Slot	S Silver
	PARA23 2' x 3' PARALLELOGRAM	REC24 2' x 4' RECTANGLE	SQR2 2' x 2' SQUARE	VLD 250 LM/FT			HC Hard Ceiling	GR Charcoal Gray
	PARA24 2' x 4' PARALLELOGRAM	REC26 2' x 6' RECTANGLE	SQR3 3' x 3' SQUARE	CD Custom			JB Junction Box	
	PARA26 2' x 6' PARALLELOGRAM	HEX2 2' Diameter HEXAGON						
	REC13 1' x 3' RECTANGLE	HEX4 4' Diameter HEXAGON						

ACOUSTIC BAFFLE COLOR

Colors								Textures			
01 Blueberry	04 Graphite	07 Sand	12 Avocado	18 Granite	26 Grape	43 Ivory	50 Dark Walnut	54 Plywood	63 MAIN STREET Elm	66 WEATHERED Plywood	
02 Moss	05 Blue Sky	09 Onyx	13 Wine	24 Snow	33 Slate	46 Green Apple	52 Ash	61 FRESH Plywood	64 Planche Oak		
03 Marble	06 Orange	11 Lemon	15 Evergreen	25 Cherry	39 Earth		53 Honey	62 ITALIAN Walnut	65 Vista Walnut		

OPTIONS

CRI	SUSPENSION	FOR INDIVIDUALS
BLANK = 80 CRI	BLANK = 48" CABLE	EM Emergency Battery
C90 90 CRI	CB96 96" Cables	BC Black Canopy & Cord
	CB144 144" Cables	EC² Emergency Circuit

ORDERING & OPTION NOTES

- 1 347V not available with Emergency Battery (EM) option
- 2 EM not available with 2' fixtures

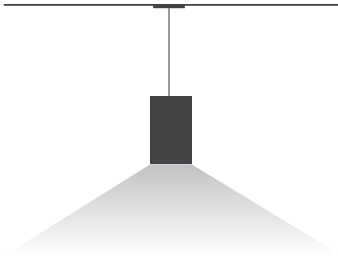
GEO PLANE SUSPENDED

INDIRECT / DIRECT WITH ACOUSTIC

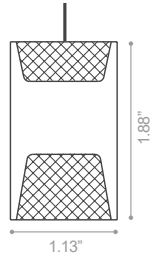


DISTRIBUTION & CROSS SECTIONS

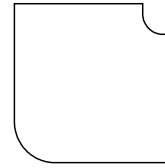
DISTRIBUTION: DIRECT



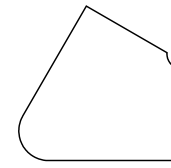
CROSS-SECTION



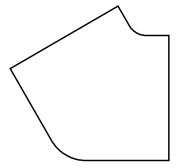
CORNER JOINT



90°



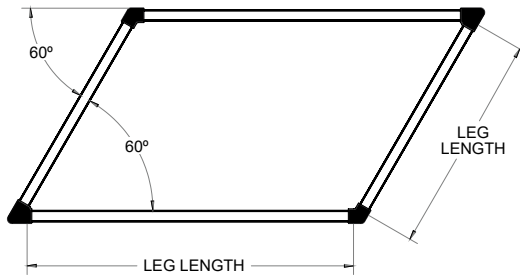
60°



120°

STANDARD PRODUCT INFORMATION

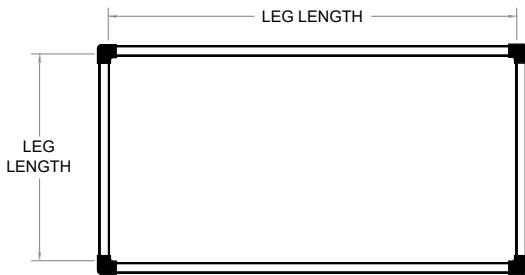
PARA (2) 60° and (2) 120° Corners



Product Dimensions

ORDERING	LEG LENGTH
PARA-13	1' & 3'
PARA-14	1' & 4'
PARA-16	1' & 6'
PARA-23	2' & 3'
PARA-24	2' & 4'
PARA-26	2' & 6'

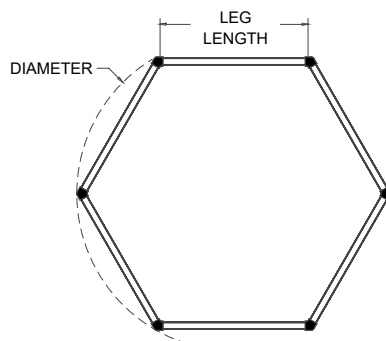
REC (4) 90° Corners



Product Dimensions

ORDERING	LEG LENGTH
REC-13	1' & 3'
REC-14	1' & 4'
REC-16	1' & 6'
REC-23	2' & 3'
REC-24	2' & 4'
REC-26	2' & 6'

HEX (6) 120° Corners



Product Dimensions

ORDERING	DIAMETER	LEG LENGTH
HEX-2	2'	1'
HEX-4	4'	2'
HEX-6	6'	3'
HEX-8	8'	4'

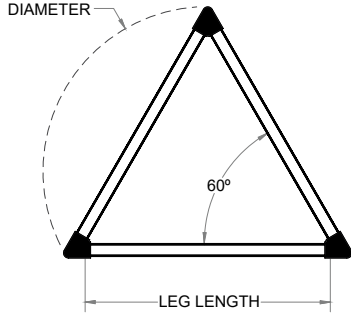
GEO PLANE SUSPENDED

INDIRECT / DIRECT WITH ACOUSTIC



STANDARD PRODUCT INFORMATION

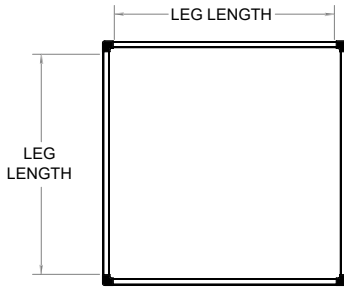
TRI (3) 60° Corners



Product Dimensions

ORDERING	DIAMETER	LEG LENGTH
TRI-2	2' 9"	2'
TRI-3	4'	3'
TRI-4	5' 1"	4'

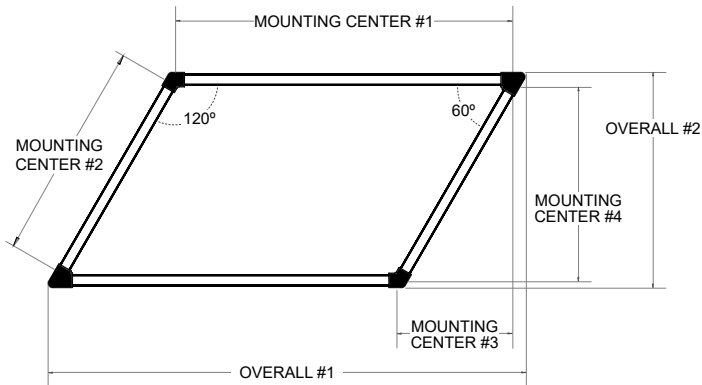
SQR (4) 90° Corners



Product Dimensions

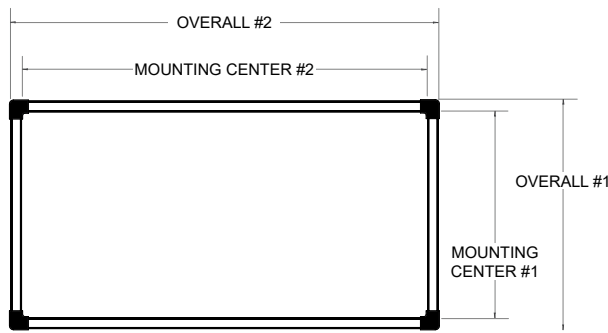
ORDERING	LEG LENGTH
SQR-2	2'
SQR-3	3'

DIMENSIONS



SIZE/DISTRIBUTION	PARA-13 DIRECT & INDIRECT / DIRECT	PARA-14 DIRECT & INDIRECT / DIRECT	PARA-16 DIRECT & INDIRECT / DIRECT	PARA-23 DIRECT & INDIRECT / DIRECT
MOUNTING CENTER #1	36.9	48.9	72.9	36.9
#2	14.0	14.0	14.0	26.2
#3	7.0	7.0	7.0	13.0
#4	12.2	12.2	12.2	22.7
OVERALL #1	47.3	59.4	83.3	53.4
#2	14.5	14.5	14.5	25.0

SIZE/DISTRIBUTION	PARA-24 DIRECT & INDIRECT / DIRECT	PARA-26 DIRECT & INDIRECT / DIRECT
MOUNTING CENTER #1	48.9	72.9
#2	26.2	26.2
#3	13.0	13.0
#4	22.7	22.7
OVERALL #1	65.4	89.4
#2	25.0	25.0



SIZE/DISTRIBUTION	REC-13 DIRECT & INDIRECT / DIRECT	REC-14 DIRECT & INDIRECT / DIRECT	REC-16 DIRECT & INDIRECT / DIRECT	REC-23 DIRECT & INDIRECT / DIRECT
MOUNTING CENTER #1	14.3	14.3	14.3	26.5
#2	37.2	49.2	19.2	37.2
OVERALL #1	16.4	16.4	16.4	28.5
#2	39.3	51.3	75.3	39.3

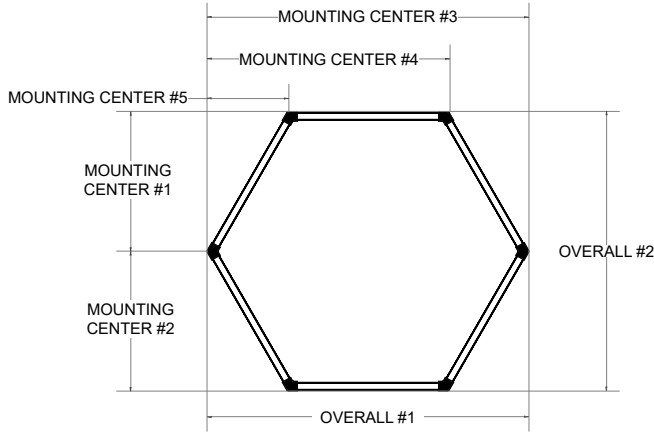
SIZE/DISTRIBUTION	REC-24 DIRECT & INDIRECT / DIRECT	REC-26 DIRECT & INDIRECT / DIRECT
MOUNTING CENTER #1	26.5	26.5
#2	49.2	19.2
OVERALL #1	28.5	28.5
#2	51.3	75.3

GEO PLANE SUSPENDED

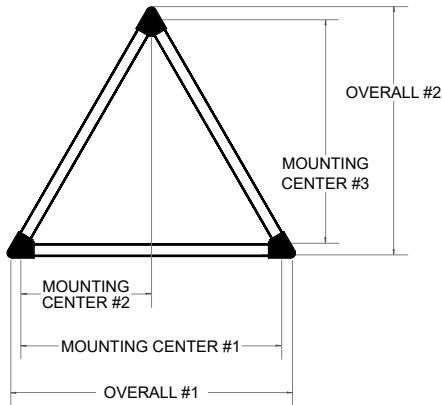
INDIRECT / DIRECT WITH ACOUSTIC



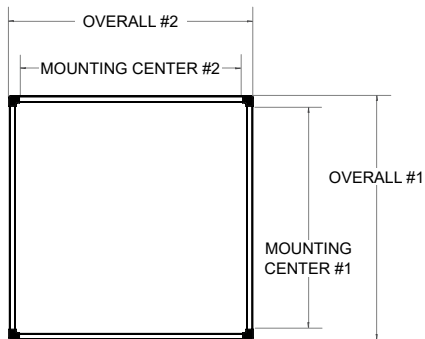
DIMENSIONS



SIZE/DISTRIBUTION	HEX-2 DIRECT & INDIRECT / DIRECT		HEX-4 DIRECT & INDIRECT / DIRECT	
	MOUNTING CENTER #1	12.1	22.6	22.6
#2	12.1	22.6	22.6	
#3	28.2	52.3	52.3	
#4	21.2	39.2	39.2	
#5	7.0	13.1	13.1	
OVERALL #1	30.6	54.7	54.7	
#2	26.3	47.2	47.2	



SIZE/DISTRIBUTION	TRI-2 DIRECT & INDIRECT / DIRECT		TRI-3 DIRECT & INDIRECT / DIRECT		TRI-4 DIRECT & INDIRECT / DIRECT	
	MOUNTING CENTER #1	26.1	36.9	36.9	48.9	48.9
#2	13.1	18.4	18.4	24.4	24.4	
#3	22.6	31.9	31.9	42.3	42.3	
OVERALL #1	29.5	40.3	40.3	52.3	52.3	
#2	25.7	35.0	35.0	45.4	45.4	



SIZE/DISTRIBUTION	SQR-2 DIRECT & INDIRECT / DIRECT		SQR-3 DIRECT & INDIRECT / DIRECT	
	MOUNTING CENTER #1	26.5	37.2	37.2
#2	26.5	37.2	37.2	
OVERALL #1	28.5	36.3	36.3	
#2	28.5	36.3	36.3	

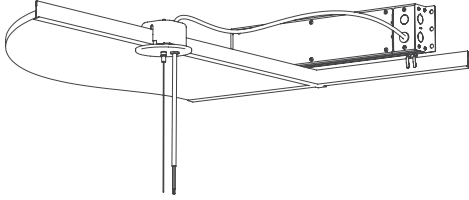
GEO PLANE SUSPENDED

INDIRECT / DIRECT WITH ACOUSTIC

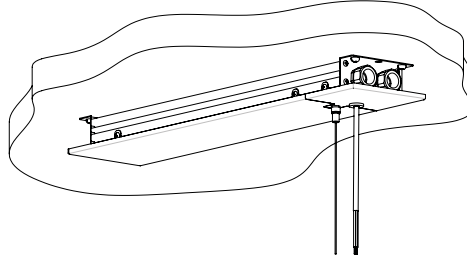


REMOTE DRIVER MOUNTING OPTIONS: DETERMINED BY MOUNTING TYPE

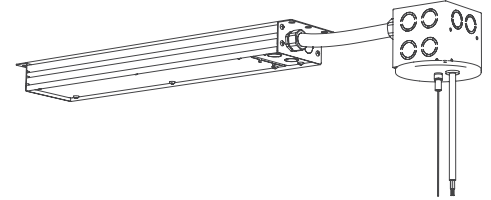
ABOVE GRID: T1 - T9 - SC



HARD CEILING: HC

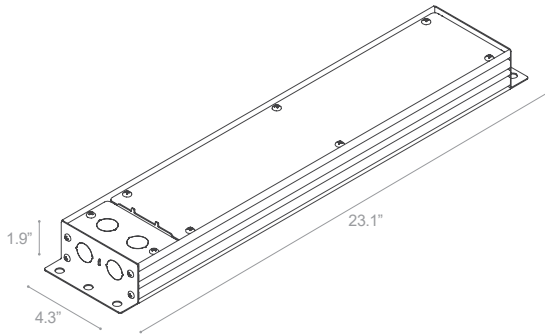


J-BOX: JB



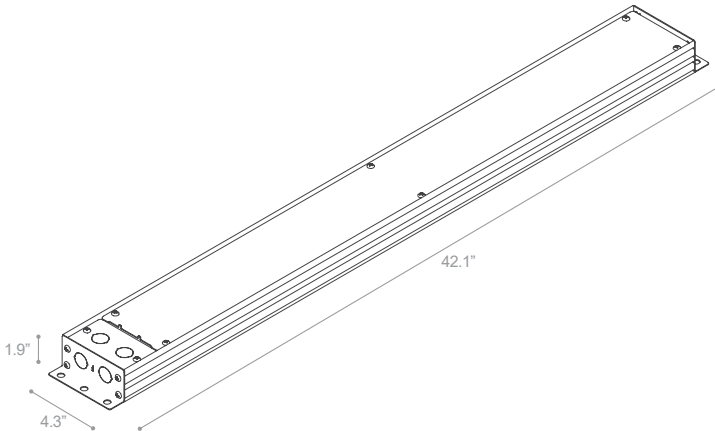
REMOTE DRIVER DETAILS

SHORT REMOTE POWER UNIT



	SHORT REMOTE POWER UNIT	LONG REMOTE POWER UNIT
DISTRIBUTION		
Indirect/Direct (SLK-ID)	X	X
Direct (SLK-D)	X	X
MOUNTING		
Hard Ceiling	X	X
Grid (T1 - T9 - SC)	X	X
J-Box	X	X
ADD-ON OPTIONS		
Separate Switching (SS-U/D)	X	X
Emergency Battery Pack (EM)		X
Emergency Circuit (EC)	X	X
IC RATED		
Approved		X

LONG REMOTE POWER UNIT



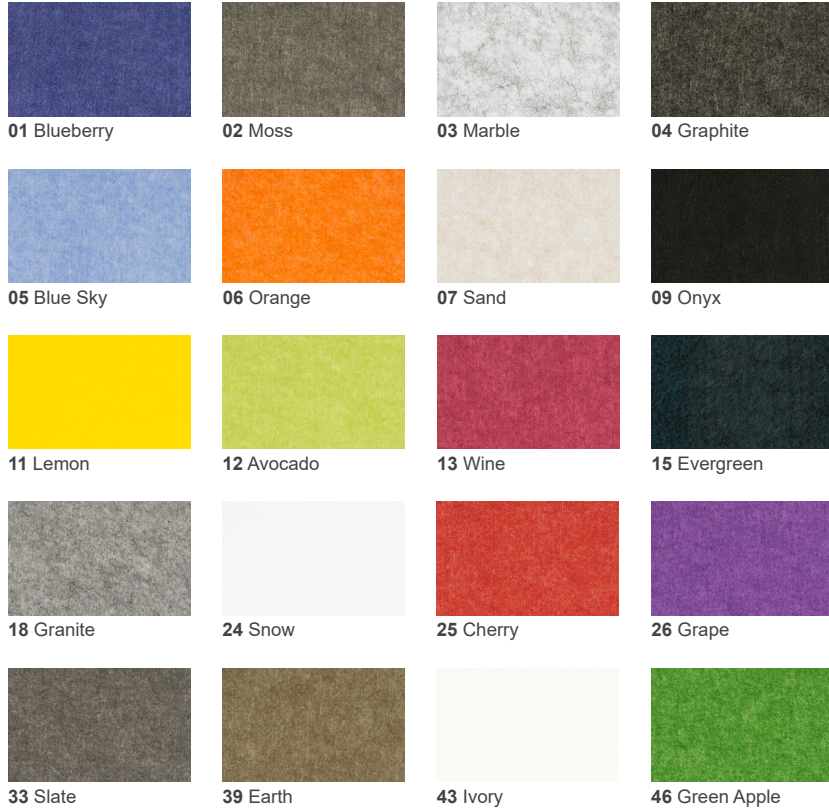
GEO PLANE SUSPENDED

INDIRECT / DIRECT WITH ACOUSTIC

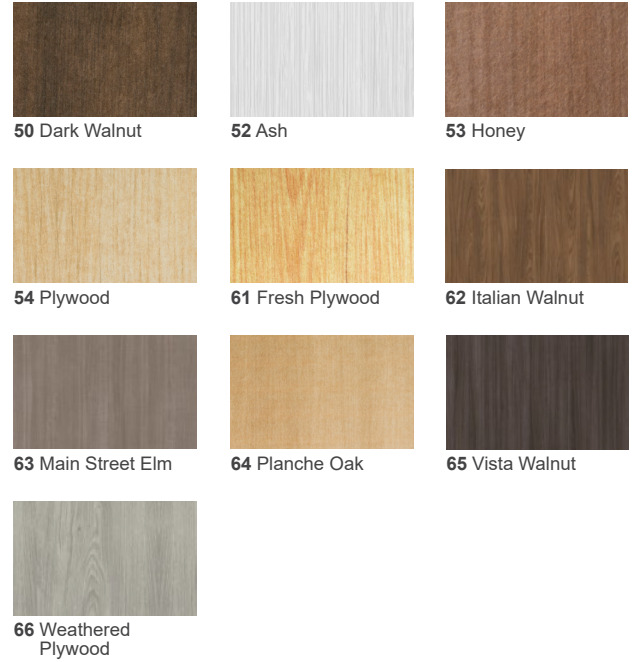


ACOUSTIC BAFFLE OPTIONS

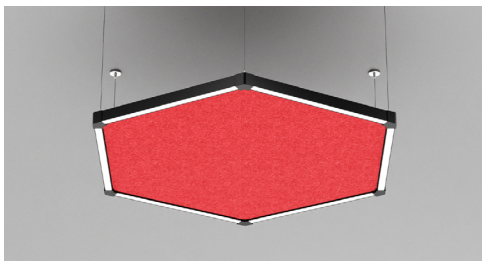
COLORS



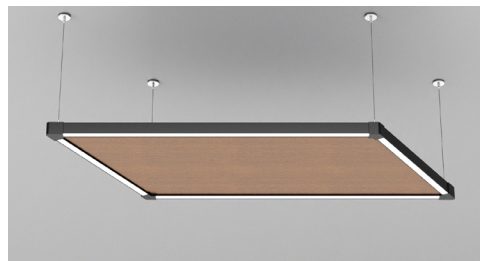
TEXTURES



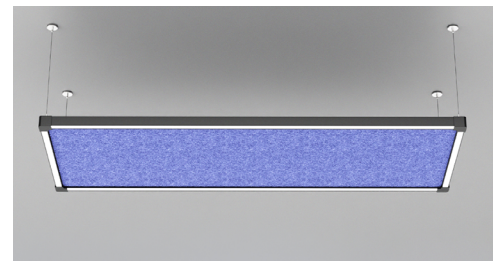
PLANE WITH GEO SERIES



Suspended GEO Hexagon
Shown with Cherry (25) PLANE Acoustic



Suspended GEO Parallelogram
Shown with Honey (53) PLANE Acoustic



Suspended GEO Rectangle
Shown with Blueberry (01) PLANE Acoustic



Suspended GEO Square
Shown with Weathered Plywood (66) PLANE Acoustic



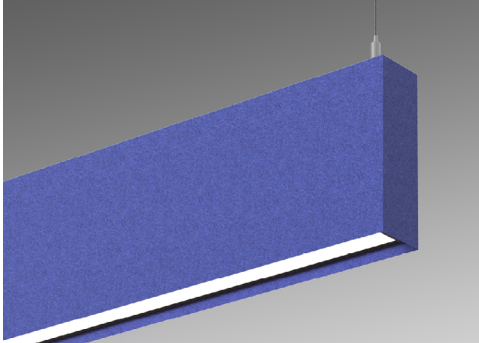
Suspended GEO Triange
Shown with Sky Blue (05) PLANE Acoustic

GEO PLANE SUSPENDED

INDIRECT / DIRECT WITH ACOUSTIC



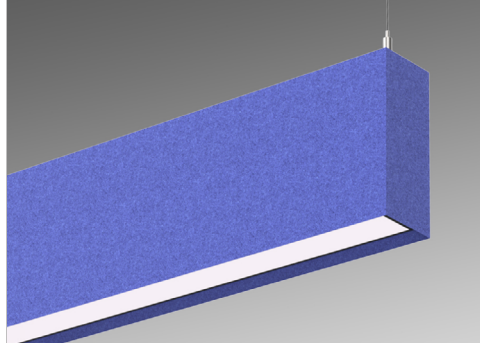
COMPLETE SERIES COLLECTION



SLEK ACOUSTIC (Distribution: Direct)
 Dimensions: 7.00" or 12.00"H x 2.13"W
 Mounting: Suspended
 Sound Absorption: Average NRC 1.4
 (Subject to mounting conditions)

[VIEW SPEC SHEET](#)

Learn more at: [Lumato.com/project/slek-acoustic-suspended/](https://lumato.com/project/slek-acoustic-suspended/)



2SA ACOUSTIC (Distribution: Direct, Indirect/Direct)
 Dimensions: 7.00" or 12.00"H x 2.88"W
 Mounting: Suspended
 Sound Absorption: Average NRC 1.4
 (Subject to mounting conditions)

[VIEW S2A-D SPEC SHEET](#)

[VIEW S2A-ID SPEC SHEET](#)

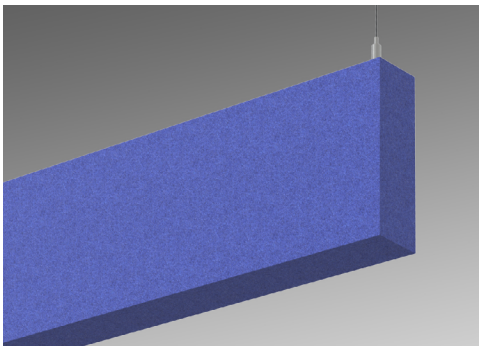
Learn more at:
[Lumato.com/project/2sa-d-suspended/](https://lumato.com/project/2sa-d-suspended/)
[Lumato.com/project/2sa-id-suspended/](https://lumato.com/project/2sa-id-suspended/)



PLANE UNLIT
 Circle, Para, Rectangle, Hex, Triangle, Square
 Mounting: Suspended
 Sound Absorption: Average NRC 1.4
 (Subject to mounting conditions)

[VIEW SPEC SHEET](#)

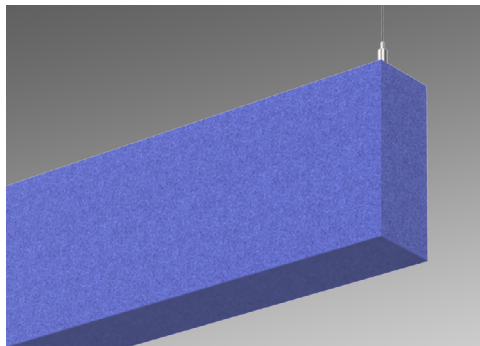
Learn more at: [Lumato.com/project/plane-suspended/](https://lumato.com/project/plane-suspended/)



ACOUSTIC UNLIT MINI BOX
 Dimensions: 7.00" or 12.00"H x 2.13"W
 Mounting: Pendant
 Sound Absorption: Average NRC 0.85
 (Subject to mounting conditions)

[VIEW SPEC SHEET](#)

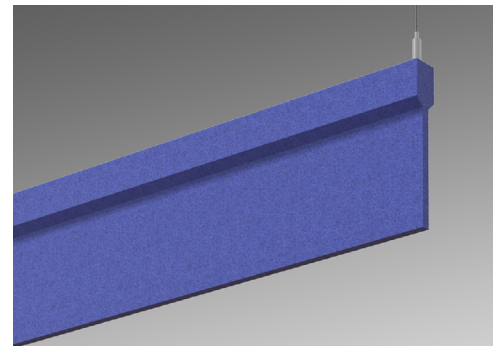
Learn more at: [Lumato.com/project/acoustic-box-mini/](https://lumato.com/project/acoustic-box-mini/)



ACOUSTIC UNLIT BOX
 Dimensions: 7.00" or 12.00"H x 2.88"W
 Mounting: Pendant
 Sound Absorption: Average NRC 0.85
 (Subject to mounting conditions)

[VIEW SPEC SHEET](#)

Learn more at: [Lumato.com/project/acoustic-box/](https://lumato.com/project/acoustic-box/)



ACOUSTIC UNLIT BLADE
 Dimensions: 7.00" or 12.00"H x 1.13"W
 Mounting: Pendant
 Sound Absorption: Average NRC 0.85
 (Subject to mounting conditions)

[VIEW SPEC SHEET](#)

Learn more at: [Lumato.com/project/acoustic-blade/](https://lumato.com/project/acoustic-blade/)

GEO PLANE SUSPENDED

INDIRECT / DIRECT WITH ACOUSTIC



SPECIFICATIONS

MECHANICAL

Housing Construction:

Extruded Aluminum 6063-T5 alloy outer housing and our high-quality die-cast end caps are engineered to conceal all fasteners, and to retain the sealing gaskets on the inside of the fixture while completing the clean and minimalistic look of this luminaire. The Acoustic PLANE is made of 100% polyester fiber acoustic felt and is available in 5 different shapes.

Mounting Method/Hardware:

Standard hanging hardware includes 1/16" diameter, galvanized steel aircraft cable with adjustable and lockable nickel-plated cable grippers at the luminaire. White or black 18/4 cord carries low voltage to luminaire. The standard hardware includes a 57" power cord and 60" aircraft cables to accommodate a 48" mounting distance from the ceiling. All Lumato suspension hardware meets the UL1598 requirements for loading/fixture support. Ceiling Canopy hardware provided. For Geo Plane, sheet metal brackets installed on the edge of the baffles that hang on the GEO housing.

Exterior Finish:

The GEO is available in White, Black, Silver, or Charcoal Grey polyester powder coat finish to ensure durability. Luminaires are available in any RAL color as an option.

Acoustic Color:

The acoustic baffle is made of 100% polyester fiber. Available in the following Colors: Blueberry (01), Moss (02), Marble (03), Graphite (04), Blue Sky (05), Orange (06), Sand (07), Onyx (09), Lemon (11), Avocado (12), Wine (13), Evergreen (15), Granite (18), Snow (24), Cherry (25), Grape (26), Slate (33), Earth (39), Ivory (43), Green Apple (46). Available Textures: Dark Walnut (50), Ash (52), Honey (53), Plywood, Fresh Plywood (61), Italian Walnut (62), Main Street Elm (63), Planche Oak (64), Vista Walnut (65), Weathered Plywood (66)

Corner Joints:

Fully machined aluminum corner joints with 2 mounting screws per fixture to provide strength. A sheet metal connector cover connects the multiple fixtures and hanging hardware together. This allows easy install and final wiring. Wiring is completed prior final corner joint is installed. Corner joint and sheet metal connector cover are joined with a 1/4-20 screw.

OPERATION

Remote Power Unit:

Remote Power Unit powers only one luminaire at a time. In row configurations, one power unit is required for each luminaire. Easy to access wiring compartments for fast and easy installation. Line voltage and low voltage wire compartments.

Mounting can be done in multiple configurations

Above T-Grid with supplied clips
Decorative surface mount on hard sheet rock construction
Recessed in hard sheet rock construction (IC Rated)
J-Box Mounted

Light Engine:

The GEO is available in 3000K, 3500K and 4000K CCT all within a 3-Step MacAdam Ellipse and has a standard CRI of 80+ with a 90+ CRI option available.

Lower Optics:

Our frosted acrylic roll in lens is designed to maximize efficiency while minimizing glare and eliminating light leak at fixture joints. Fixtures come with lens installed.

Upper Optics:

The upper optics consist of an extruded acrylic lens that provides a ultra-wide batwing distribution to produce a more evenly illuminated ceiling and wider spacing of luminaires.

Electrical:

Electrical connections at fixture are preinstalled with low voltage wiring. Class 2 programmable (factory pre-set) premium power supply, 120-277VAC OR 347V input. Power factor >0.9. THD <15%. Integral Surge Protection to 2KV.

Dimming:

The GEO comes standard with 0-10V dimming to 1%.

PERFORMANCE

Acoustic Material:

All raw materials are sustainably sourced from carefully selected vendors within the USA and abroad. All acoustic felt is made from low-VOC, 60% recycled PET polyester felt material. Frames are custom ordered in standardized sizes to prevent waste in the supply chain.

All Lumato products are free of allergens, irritants, and coatings/ sprays that degrade or give off VOC's. All acoustic materials also meet ASTM E84 Class A, Flame Spread 40.

Product Maintenance:

Our acoustic baffles and panels are inherently easy to maintain. They can be wiped down with a damp cloth or vacuumed as needed.

If a stain does appear, warm water and soap can be used to gently blot the area affected.

Acoustic baffles and panels are 100% recyclable at end of life.

ASTM E84 Class A Fire Spread rating is permanently achieved by infusing 40% new material into the panel. Our manufacturing process never uses sprays or coatings that degrade or lose their rating status.

GENERAL

Warranty:

Ten (10) year limited warranty from date of shipment, covers LED's, driver, and luminaire. Optional accessories are covered by their individual manufacturers' warranties. Two (2) year limited warranty from date of shipment. Optional accessories are covered by their individual manufacturer warranties.

Lumen Maintenance:

Rated for 85% initial lumen output (L85) at 90,000 hours of operation, operated at 25°C ambient temperature; per TM-21 Guidelines published by the Illuminating Engineering Society (IES).

Certification:

All Luminaires and Remote Power Unit are UL and cUL Listed, approved for Dry/Damp locations.

Remote Driver Box may be IC rated as an option. Contact Lumato for more information.

Acoustic Baffle Fire Rating:

ASTM E84 Class A Fire Spread rating is permanently achieved by infusing 40% new material into the panel. Our manufacturing process never uses sprays or coatings that degrade or lose their rating status.

Manufactured in the USA:

All Lumato Luminaires and Components (with the exception of our LED boards and drivers) are proudly manufactured and assembled in the USA. All luminaires are UL/cUL Listed to UL 1598 Standards and approved for Indoor use in Dry/Damp Locations.

Shipping:

6-Week lead-time for orders up to 1000 linear feet.
Lead-time for orders greater than 1000 linear feet will be determined at time of order.