

## General Unlit Acoustic Baffle Installation Instructions

Unlit Acoustic Series

### WARNING

#### RISK OF DEATH, INJURY, OR PROPERTY DAMAGE FROM FIRE, ELECTRIC SHOCK, AND OTHER HAZARDS

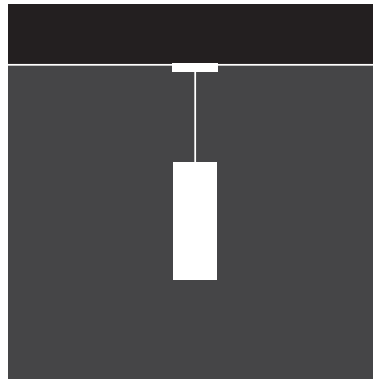
- Read this document in full prior to installing, servicing, or maintaining this equipment. These instructions do not cover all installation, service, and maintenance situations. If your situation is not covered, or, if you do not understand these instructions or need additional information, contact Lumato at [orders@lumato.com](mailto:orders@lumato.com) or your local Lumato distributor.
- Installation and maintenance must be performed by qualified personnel familiar with the construction and operation of this product. All applicable local, state and federal laws, codes and ordinances must be followed.

### REQUIRED TOOLS

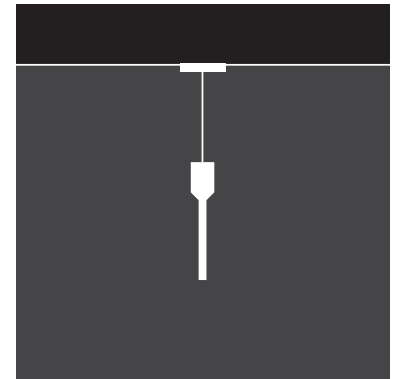
- Cable Cutter or Side Cutter
- Box/Beam Level



**Acoustic Box Mini**  
2.13in x 7.06in



**Acoustic Box**  
2.88in x 7.06in



**Acoustic Blade**  
1.13in x 7.06in or 12.06in

**SAVE THESE INSTALLATION INSTRUCTIONS**



## Mounting Options

---

Unlit Acoustic Series

### **CABLE MOUNTING “ON GRID” (T1, T9, & SC)**

- Unlit Acoustic Series products intended for “On Grid” or “T-Bar Ceiling” cable mounting are to be installed with T1 (1” T-Grid), T9 (9/16” T-Grid), or SC (Screw Slot Grid) Hanger Kits. Hanger Kits are shipped in separate kitting boxes. See page 4 for detailed installation instruction.

### **CABLE MOUNTING “OFF GRID” (HC & JB)**

- Unlit Acoustic Series products intended for cable mounting are to be installed with HC (Hard Ceiling) or JB (Junction Box) Hanger Kits. Hanger Kits are shipped in separate kitting boxes. See page 3 for detailed installation instruction.

## Suspended Installation Instructions

Off-Grid Mounting

### NON FEED CABLE/CANOPY ASSEMBLY

1. Determine mounting cable spacing centers from factory shop drawing or order processing specification sheet.
2. Install 1/4"-20 studs projecting from the finished ceiling line or junction box strap by 1/2".
3. Insert cable supplied in kit through ceiling coupler in kit and attach to 1/4"-20 stud securely. Remove threaded canopy support ring from coupler and slide canopy then support ring over cable and up to finished ceiling line. Tighten support ring to locate canopy in place.
4. Continue to Page 5 for Baffle suspension instructions.

### WARNING

**Be Certain To Support Luminaire Independently Of Cables When Depressing Retainer Stem.**

FIGURE 1 - HARD CEILING

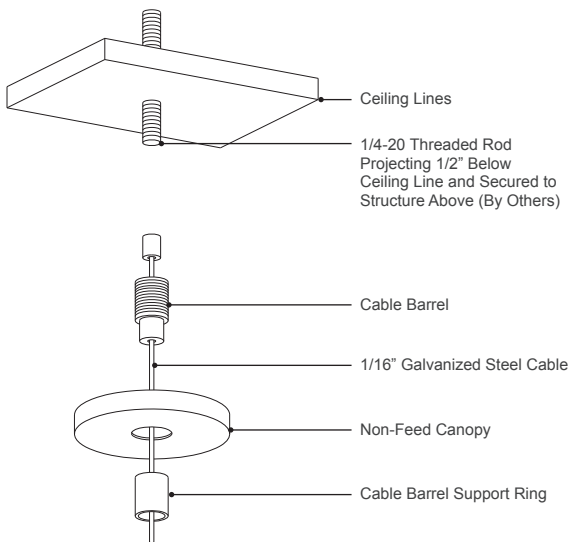
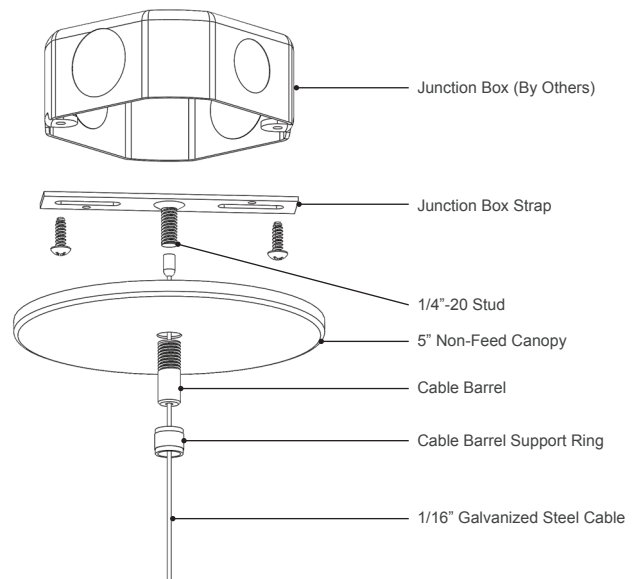


FIGURE 2 - JUNCTION BOX



**SAVE THESE INSTALLATION INSTRUCTIONS**

## Suspended Installation Instructions (Continued)

### On-Grid Mounting

#### NON FEED CABLE/CANOPY ASSEMBLY

1. Determine mounting centers from factory shop drawing or order processing specification sheet.
2. Installation of IDS clip onto T-BAR at appropriate locations. See Step 1 & Figure 3.
  - A. Assemble 1/4"-20 stud and clip. Start stud into recessed square hole, grasp clip in hand and depress TAB A with thumb. Pull stud into place and release TAB A.
  - B. Separate clip into two parts by bending at TAB B.
  - C. Place PART X on T-BAR and insert base tab on part into slot. Close PARTS X and Y together locking with TAB C.
3. Secure IDS clip to structural support above with minimum #12 gauge support wire in accordance with local, state, and federal codes. See Figure 4.
4. Insert cable supplied in kit through ceiling coupler in kit and attach to 1/4"-20 stud on IDS clip securely. Remove threaded canopy support ring from coupler and slide canopy then support ring over cable and up to finished ceiling line. Tighten support ring to secure canopy in place.
4. Continue to Page 5 for baffle suspension instructions.

#### WARNING

**Be Certain To Support Luminaire Independently Of Cables When Depressing Retainer Stem.**

Figure 3

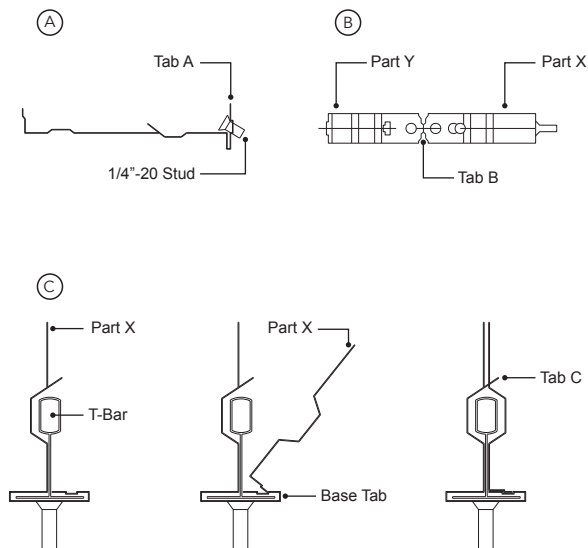
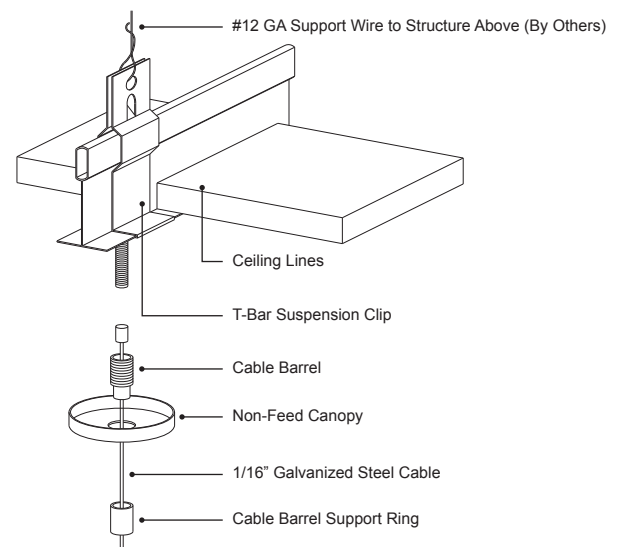


Figure 4



**SAVE THESE INSTALLATION INSTRUCTIONS**

## Baffle Suspension Installation

Unlit Acoustic Series

1. Locate and unpackage the Acoustic baffle.
2. Install cable grippers (by hand) into the acoustic baffle. The gripper locations are designated by the .5"x1" felt braces along the back of the baffles. It will be roughly 1" from each end of the baffle. See Figure 5.
3. Raise the Acoustic baffle to the cable assembly and route cable through the center of the adjustable cable fitting loosening the locking cap enough to allow cable to enter fitting. Feed cable through the adjustable fitting until desired mounting height is attained and the baffle is level. Baffle will be retained at the last point of adjustment. Tighten locking cap onto retainer stem.
4. Cut off excess aircraft cable with side cutters or similar.
5. Leave approximately 1/2" for minor adjustments. See Figure 6.  
 Note: If it becomes necessary to re-adjust baffle height, loosen locking cap and depress retainer stem while adjusting to desired position.

### WARNING

**Be Certain To Support Luminaire Independently Of Cables When Depressing Retainer Stem.**

FIGURE 5

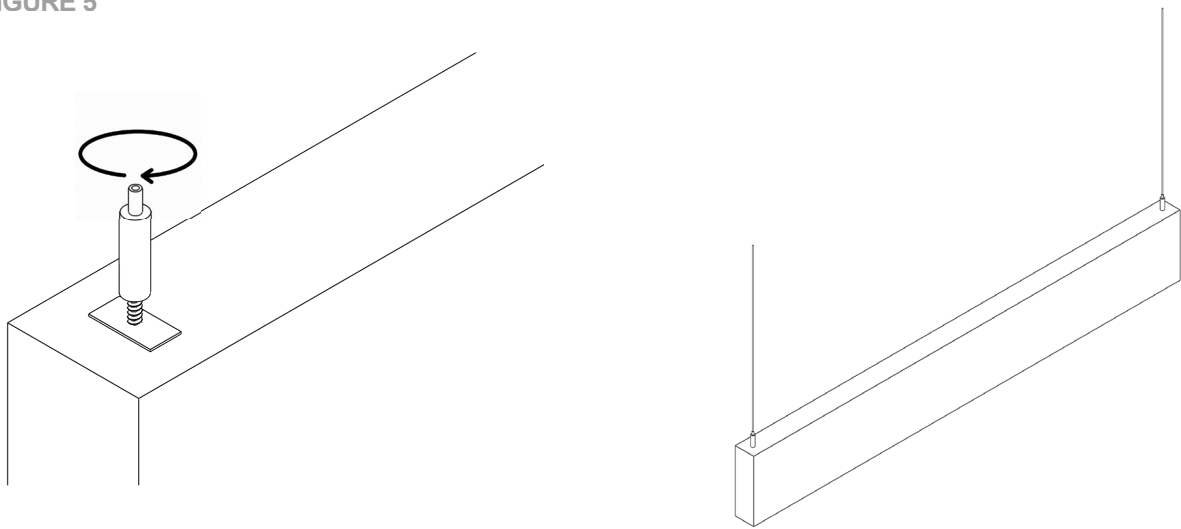
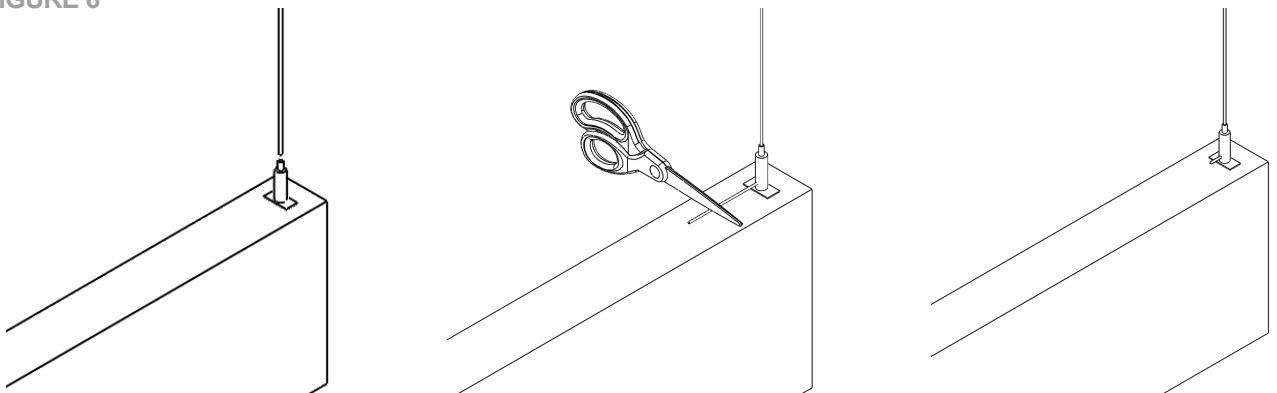


FIGURE 6



**SAVE THESE INSTALLATION INSTRUCTIONS**