



General Luminaire Installation Instructions

SQ2 Series Products

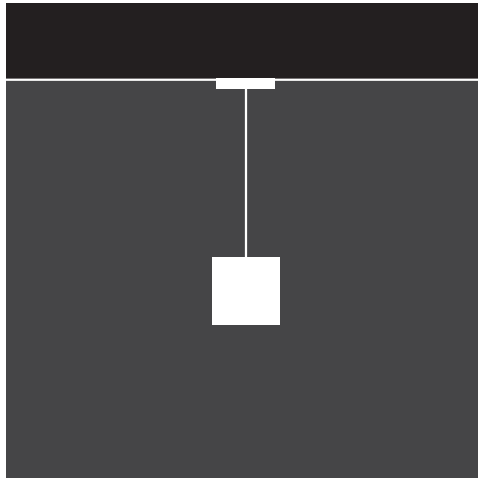
WARNING

RISK OF DEATH, INJURY, OR PROPERTY DAMAGE FROM FIRE, ELECTRIC SHOCK, AND OTHER HAZARDS

- De-energize the circuit and/or equipment before connecting to, disconnecting from, or servicing electrical equipment
- Make sure the equipment is properly grounded.
- Read this document in full prior to installing, servicing, or maintaining this equipment. These instructions do not cover all installation, service, and maintenance situations. If your situation is not covered, or, if you do not understand these instructions or need additional information, contact Lumato Lighting or your local Lumato Lighting distributor.
- Installation and maintenance must be performed by qualified personnel familiar with the construction and operation of this product. All applicable local and national codes and ordinances must be followed.

REQUIRED TOOLS

- Power Drill w/ #2 Philips Head Bit - Torque ≤ 10
- Wire Strippers
- Box/Beam Level
- Clorox (or similar) Cleaner
 - In case of lens smudge during installation



SQ2 Square
2.625in x 2.625in

SAVE THESE INSTALLATION INSTRUCTIONS

General Luminaire Installation Instructions

Individual and Row Mounting

CABLE MOUNTING “ON GRID” (T1, T9, & SC)

- Linear suspended SQ2 luminaires intended for “On Grid” or “Tee Bar Ceiling” cable mounting are to be installed with T1 (1” T-Grid), T9 (9/16” T-Grid), or SC (Screw Slot Grid) Feed and Hanger Kits. Feed and Hanger Kits are shipped separately. (Figure 15)

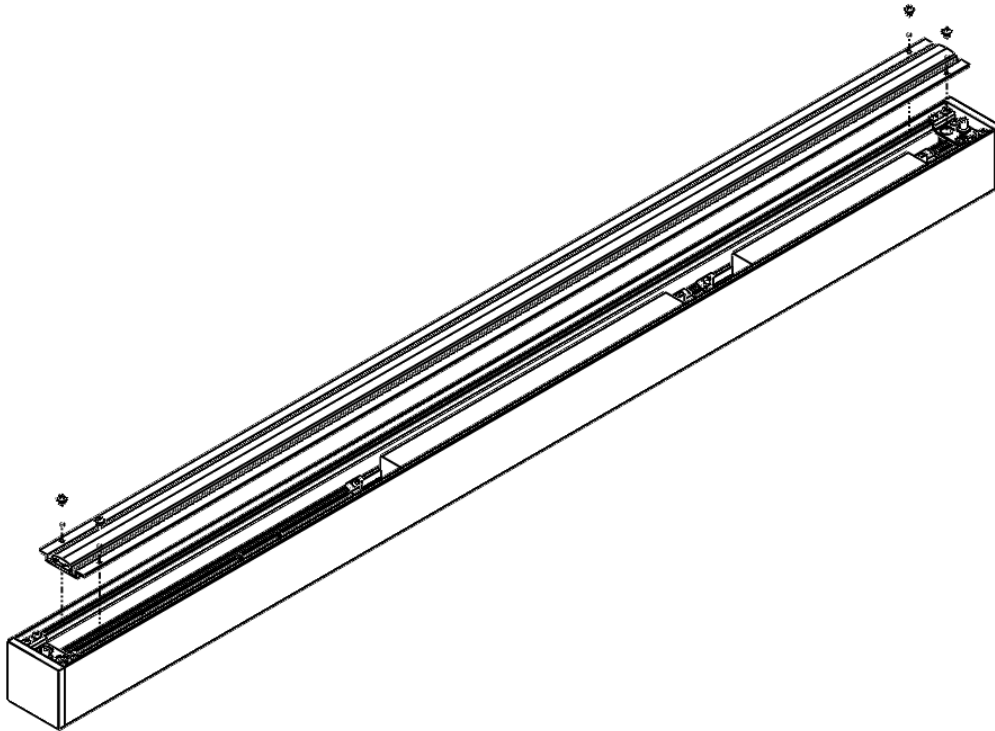
CABLE MOUNTING “OFF GRID” (HC & JB)

- Linear suspended SQ2 luminaires intended for cable mounting are to be installed with HC (Hard Ceiling) or JB (Junction Box) Feed and Hanger Kits. Feed and Hanger Kits are shipped separately. (Figure 13 and 14)

INDIVIDUAL FIXTURE INSTALLATION

Step One: Remove the top cover by unscrewing and setting aside the 4 Philips head screws securing it to the housing. (Figure 1)

Figure 1



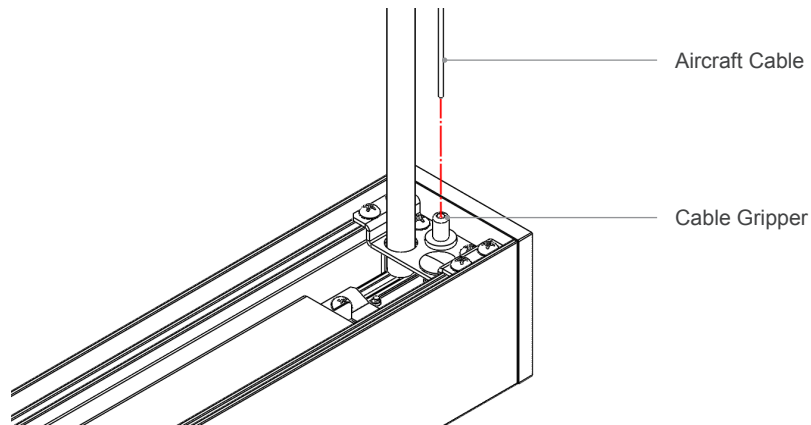
SAVE THESE INSTALLATION INSTRUCTIONS

Individual Fixture Installation Instructions

Individual & Row Mounting

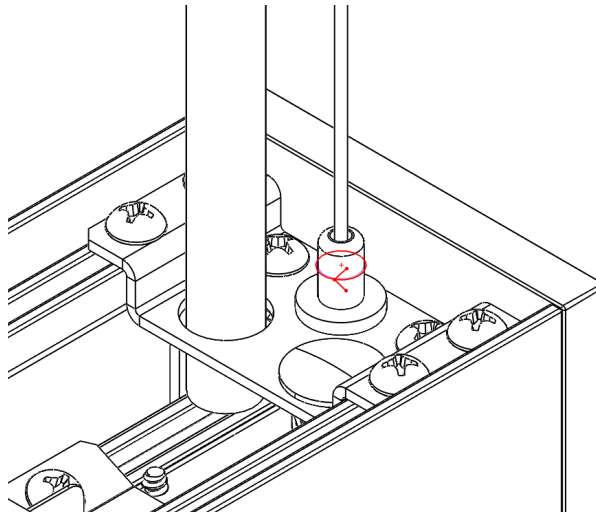
Step Two: After locating the suspension cable locations as shown in the submittal drawing and referencing suspension Figures 2-9, suspend the fixture by feeding the 1/16" aircraft cable through each cable gripper. (Figure 2)

Figure 2



Step Three: Level the fixture and tighten the cable gripper upper nuts to lock the 1/16" steel cable. (Figure 3)

Figure 3



Step Four: Follow Feed Cable/Canopy Assembly instructions for connecting to building/supply power to the SJ Cord connected to the fixture. (Figure 15)

Step Five: Reinstall the top cover using the 4 Philips head screws in step 1. Ensure no wires or other components are pinched in the process. (Figure 1)

SAVE THESE INSTALLATION INSTRUCTIONS

Row Mount Installation Instructions

SQ2 Series Products

WARNING

ATTEMPT TO ASSEMBLE A CONTINUOUS ROW LUMINAIRE ON THE GROUND AND LIFTING ROW INTO THE POSITION MAY CREATE STRESS AT CONNECTION POINTS AND MAY RESULT IN DAMAGE AND/OR MECHANICAL FAILURE. FIXTURES ARE MEANT TO BE INSTALLED AT HEIGHT.

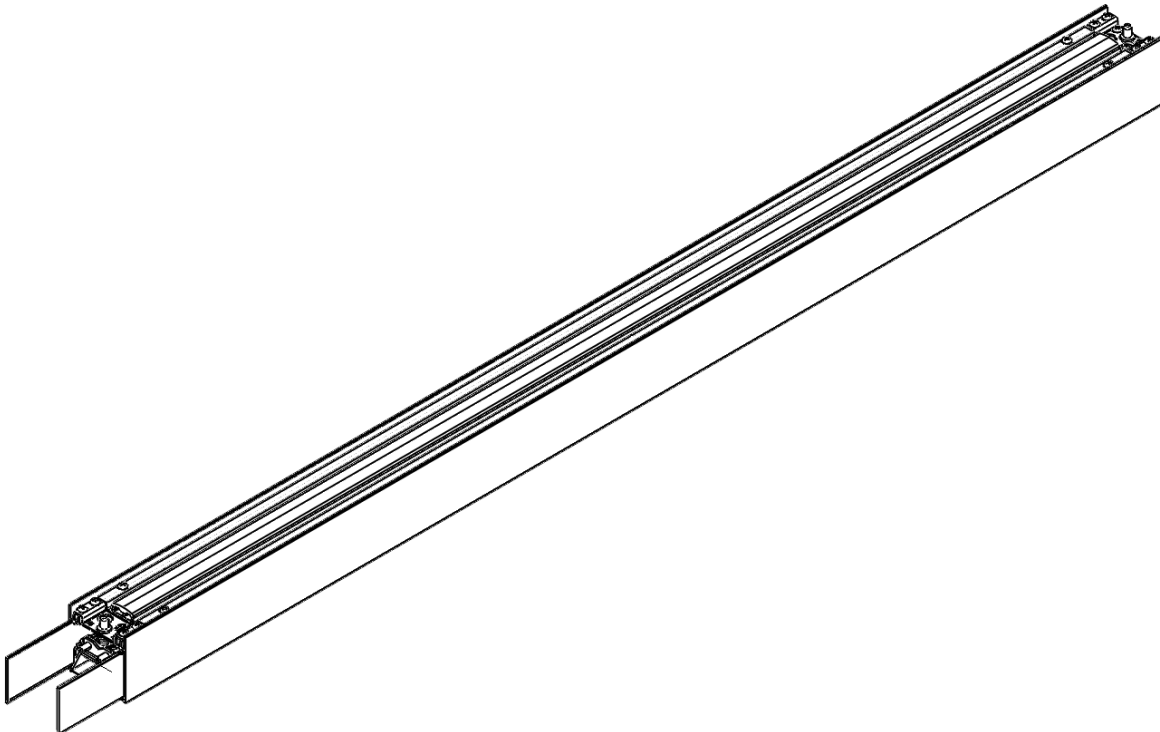
REQUIRED TOOLS

- Power Drill w/ #2 Philips Head Bit - Torque ≤ 10
- Box/Beam Level
- 3/8" Socket & Ratcheting Socket Wrench
- Scissors
- Wire Strippers
- Clorox (or similar) Cleaner
 - In case of lens smudge during installation

Step One: Locate and identify all Fixtures and Lens Kits that are needed to build the run. All Runs are built of Starter, Joiner, and Ender fixtures with a continuous roll in lens that is installed after the fixtures are hung. Consult the provided submittal drawing to reference these parts.

Step Two: Locate and identify the Starter fixture for the run (Figure 4). Note that this fixture has no endcap and has the male joining bracket and joining biscuits protruding from one side of the fixture.

Figure 4



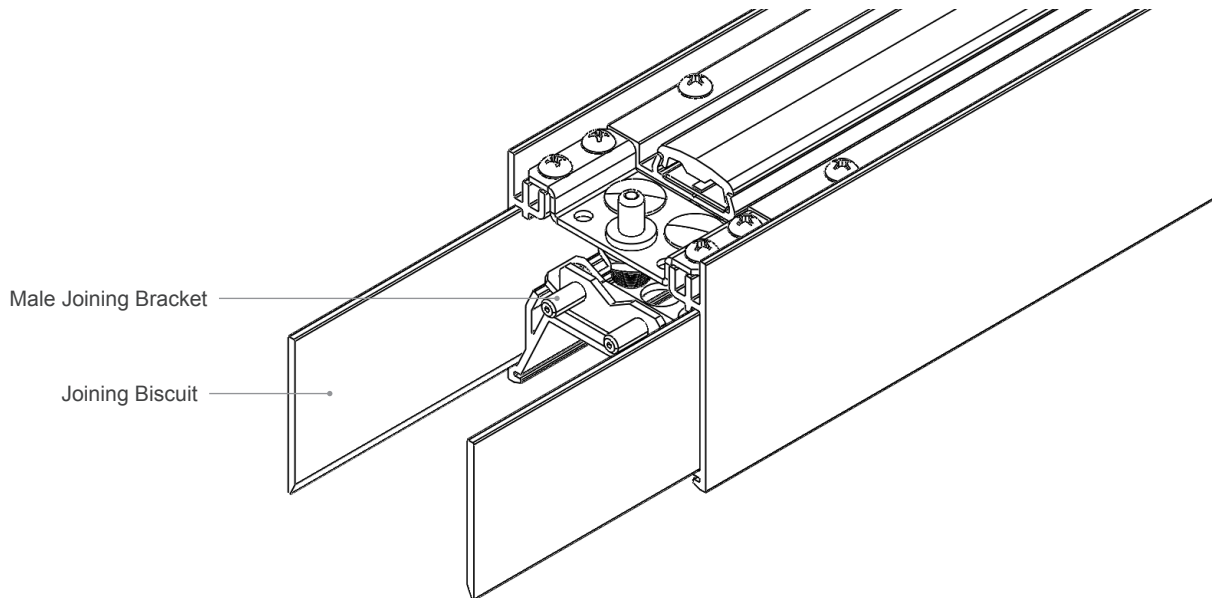
SAVE THESE INSTALLATION INSTRUCTIONS

Row Mount Installation Instructions (Continued)

SQ2 Series Products

Step Three: Locate the suspension cable locations as shown in the submittal drawing and referencing suspension figures 5-9, suspend the fixture by feeding the 1/16" aircraft cable through each cable gripper. The side with the male joining bracket & protruding joining biscuits is to be oriented toward the rest of the run. (Figure 5)

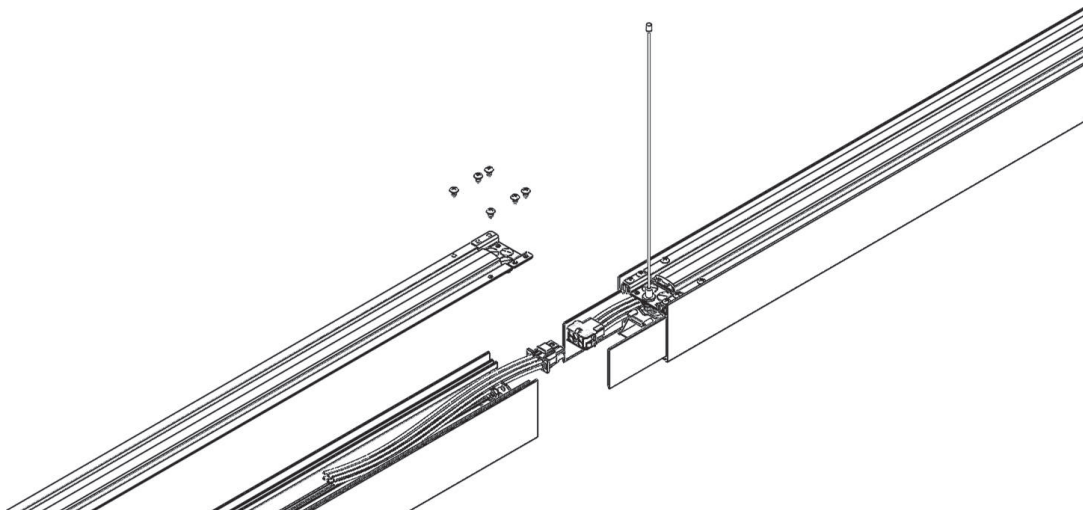
Figure 5



Step Four: Level the fixture and tighten the cable gripper upper nuts to lock the 1/16" steel cable. (Figure 3)

Step Five: Locate the next fixture in the run by referencing the submittal and aligning the female joining bracket to the preceding male joining bracket and joining biscuits protruding from the fixture. Remove the top tray and mounting bracket by unscrewing 8 Philips head screws and set aside. (Figure 6)

Figure 6



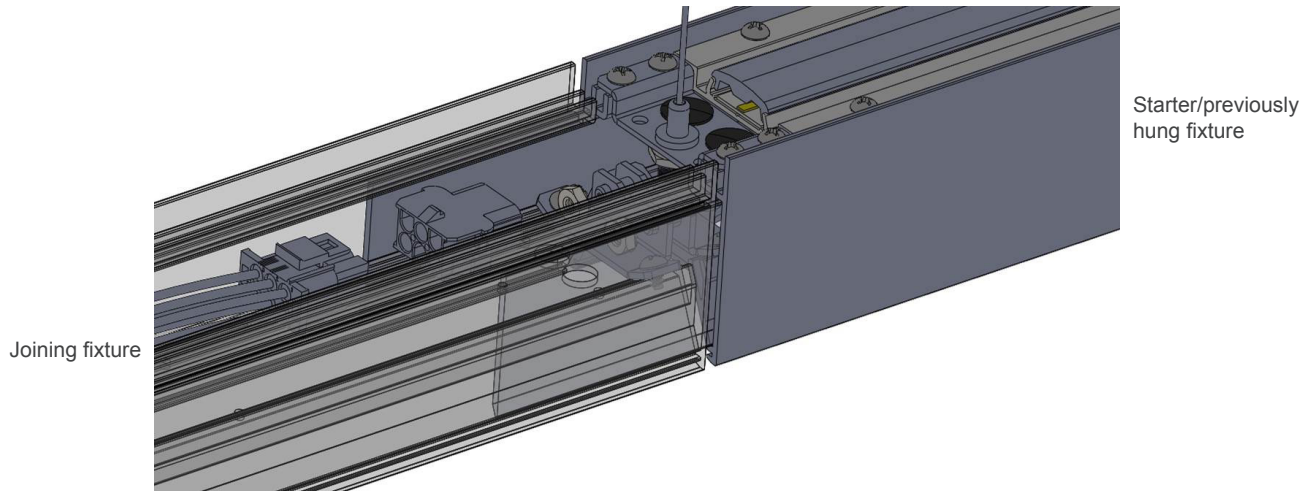
SAVE THESE INSTALLATION INSTRUCTIONS

Row Mount Installation Instructions (Continued)

SQ2 Series Products

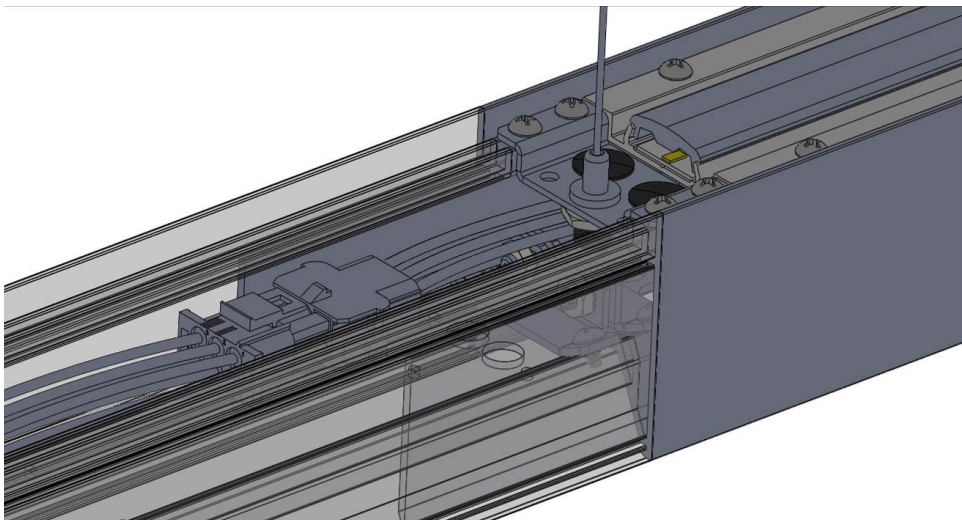
Step Six: With the female joining bracket pointed towards the precedent fixture, feed second suspension cable through gripper on the far side of the joining fixture as you bring it up to height. Align and slide the joining biscuits into the Joiner/Ender fixture until the fixtures butt together. (Figure 7)

Figure 7



Step Seven: Secure the two fixtures together by tightening two (2) #10-24 nuts with an 3/8" wrench or ratchet. Feed the starter/previously joined fixture's wire harnesses into this new fixture for electrical connection. (Figure 8). **Be sure to do this step before replacing the cable mount bracket that was removed in Step 5.**

Figure 8



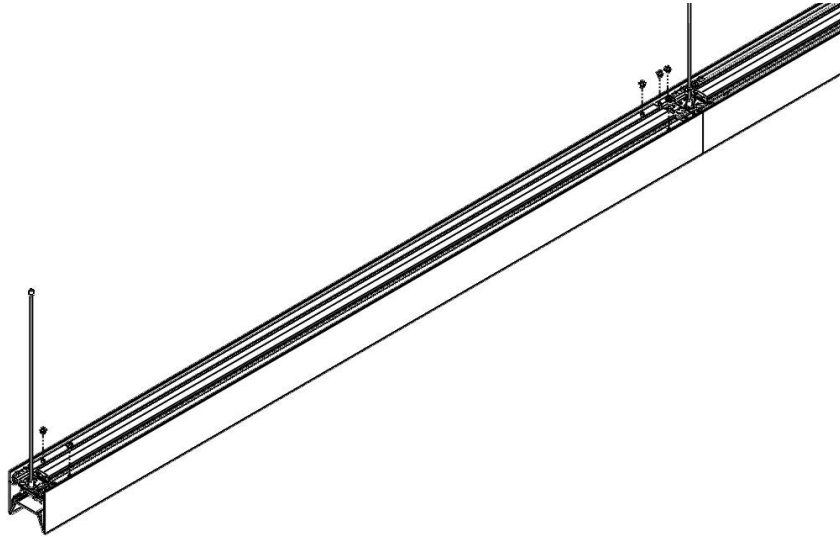
SAVE THESE INSTALLATION INSTRUCTIONS

Row Mount Installation Instructions (Continued)

SQ2 Series Products

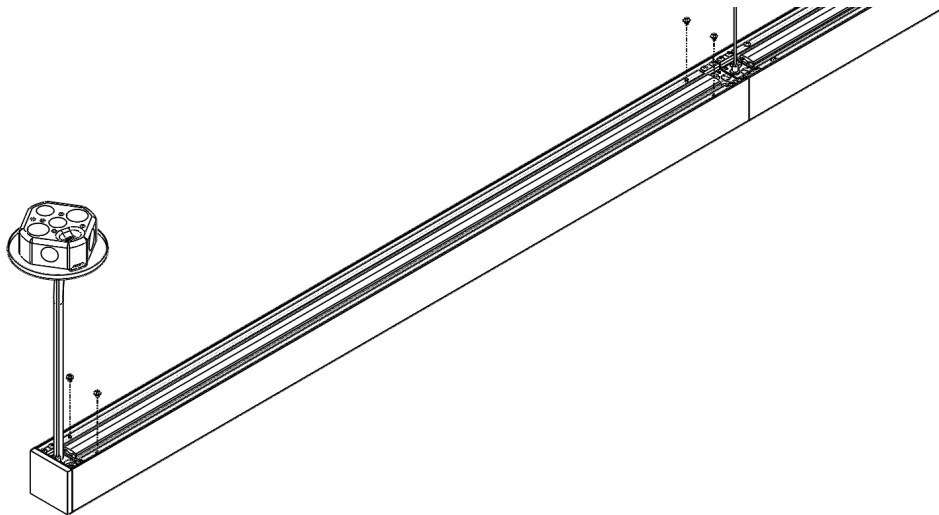
Step Eight: Re-install the top cover and mounting bracket using 8 Philips head screws in Step 5. Ensure no wires or other components are pinched in the process (Figure 9)

Figure 7



Step Nine: Continue to install Joiner fixtures repeating steps 2-8.

Step Ten: Locate and Identify Ender fixture. The Ender fixture will have a cord and one (1) End Cap attached. Install by repeating steps 2-8.



Step Eleven: Once Ender is installed, follow the Feed Cable/Canopy instructions to connect the run to building power.

SAVE THESE INSTALLATION INSTRUCTIONS

Row Mount Installation Instructions (Continued)

SQ2 Series Products

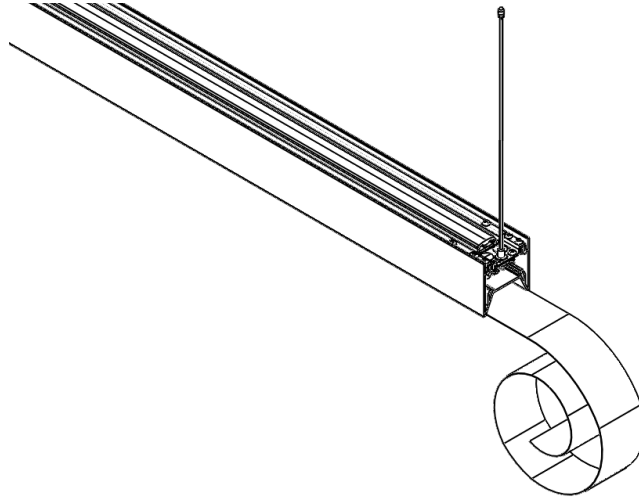
WARNING

DO NOT ENERGIZE UNTIL FIXTURE ROW HAS THE LENS AND END CAPS INSTALLED

Step Twelve: Now that the row is hung, location and identify the Lens Kit. Lens kits are comprised of one (1) roll in lens, one (1) End Cap, and two (2) #8-18 Philips head screws.

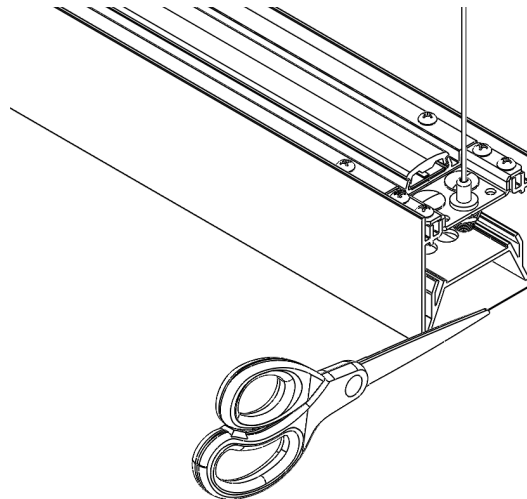
Step Thirteen: Beginning at the Starter fixture, slide the roll in lens into the lens slot at the open end of the fixture run. Continue to slide in until the lens butts up against the far endcap. (Figure 10)

Figure 10



Step Fourteen: Trim the excess lens that remains on the end of the run after the lens is fully engaged with the far end cap. Use scissors butted up to the fixture extrusion to make this cut leaving 1/8" still protruding from the run. (Figure 11)

Figure 11



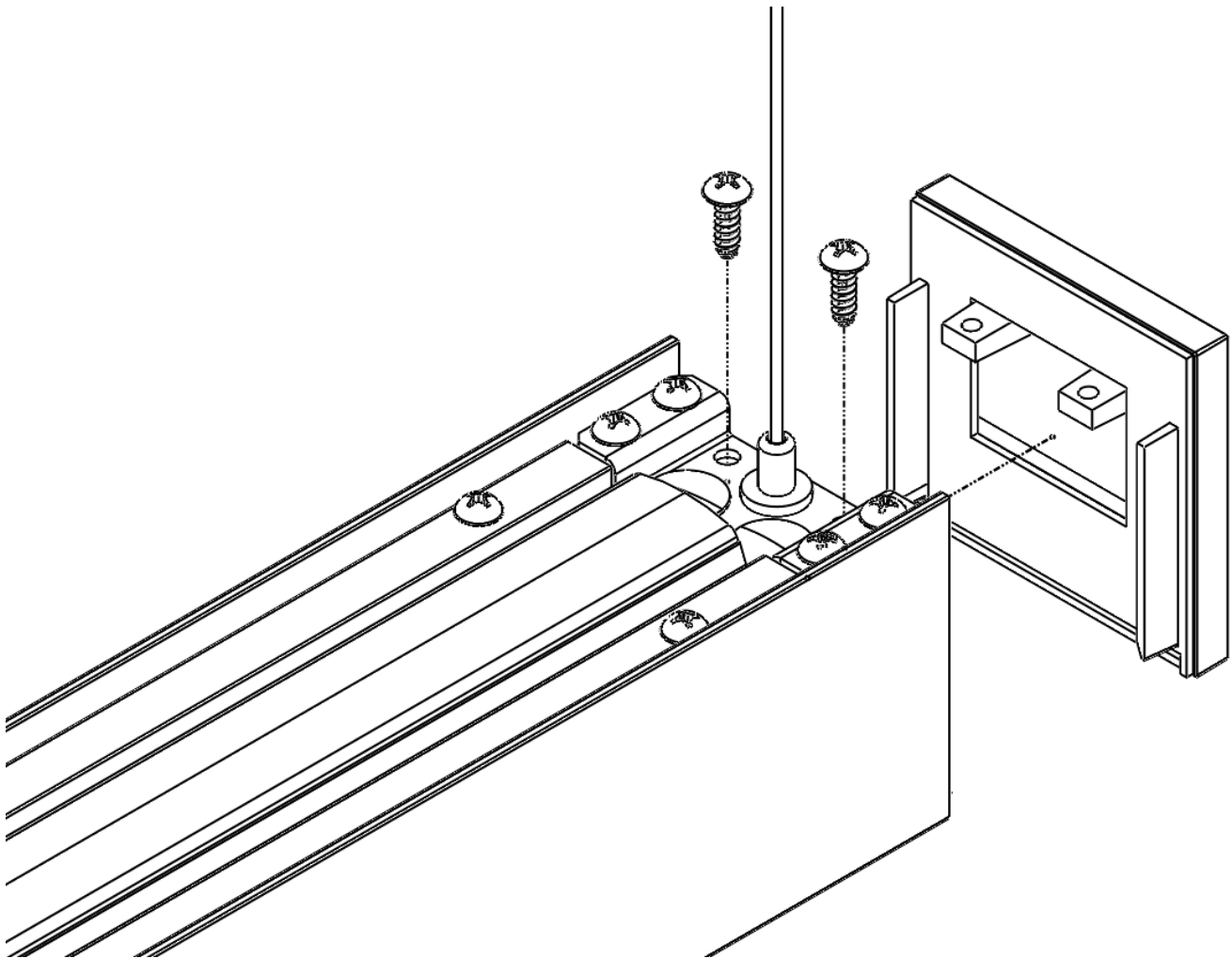
SAVE THESE INSTALLATION INSTRUCTIONS

Row Mount Installation Instructions (Continued)

SQ2 Series Products

Step Fifteen: Install End Cap on Starter fixture using two (2) #8-18x.5" Philips head screws. (Figure 12)

Figure 12

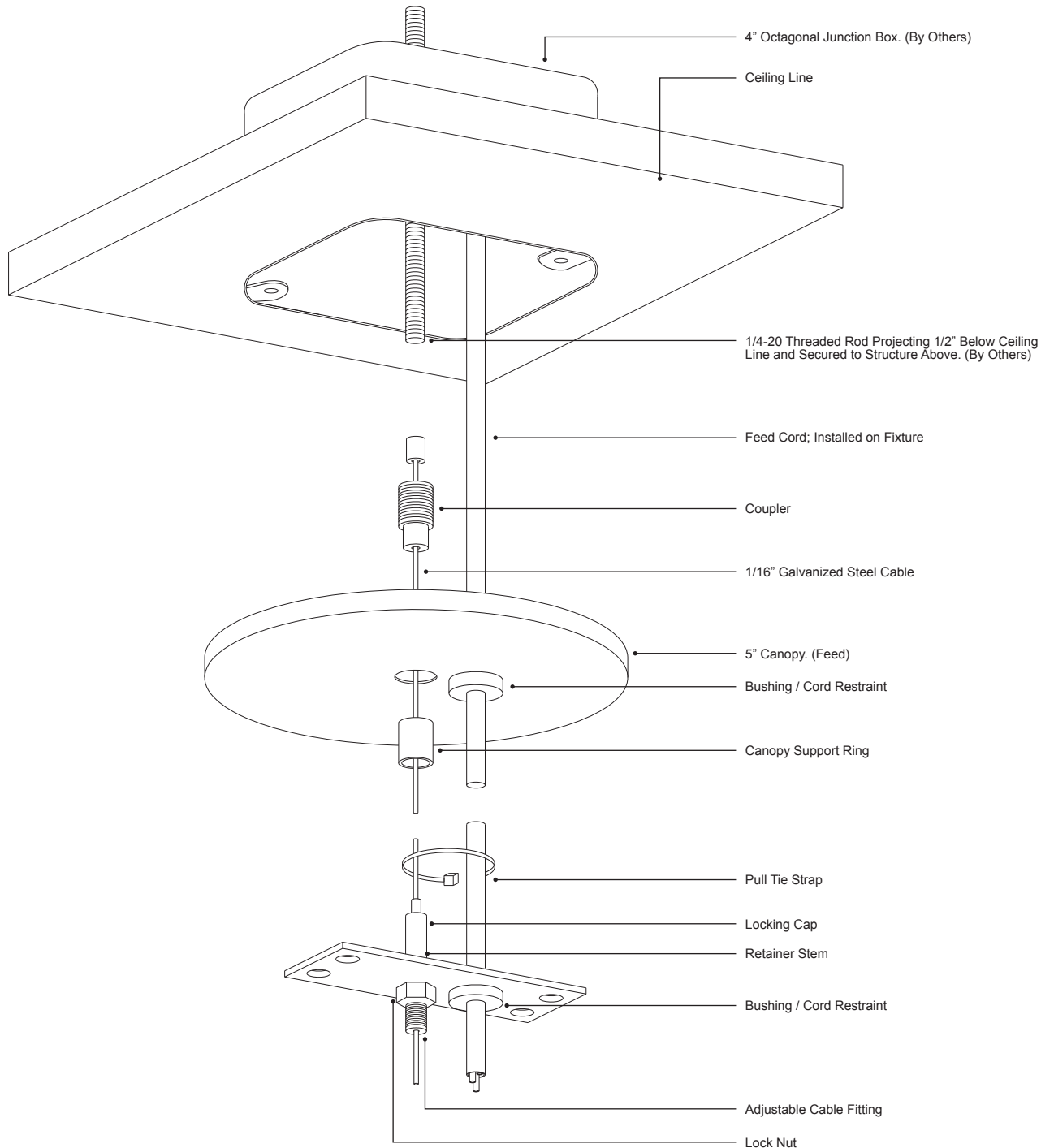


SAVE THESE INSTALLATION INSTRUCTIONS

Suspended Luminaire Installation Instructions

Individual and Row Mounting

Figure 15



SAVE THESE INSTALLATION INSTRUCTIONS

Suspended Luminaire Installation Instructions

Off-Grid Mounting

NON FEED CABLE/CANOPY ASSEMBLY

Step One: Determine mounting cable spacing centers from factory shop drawing or order processing specification sheet.

Step Two: Install 1/4-20 studs projecting from the finished ceiling line 1/2".

Step Three: Insert cable supplied in kit through ceiling coupler in kit and attach to 1/4-20 stud securely. Remove threaded canopy support ring from coupler and slide canopy then support ring over cable and up to finished ceiling line. Tighten support ring to locate canopy in place.

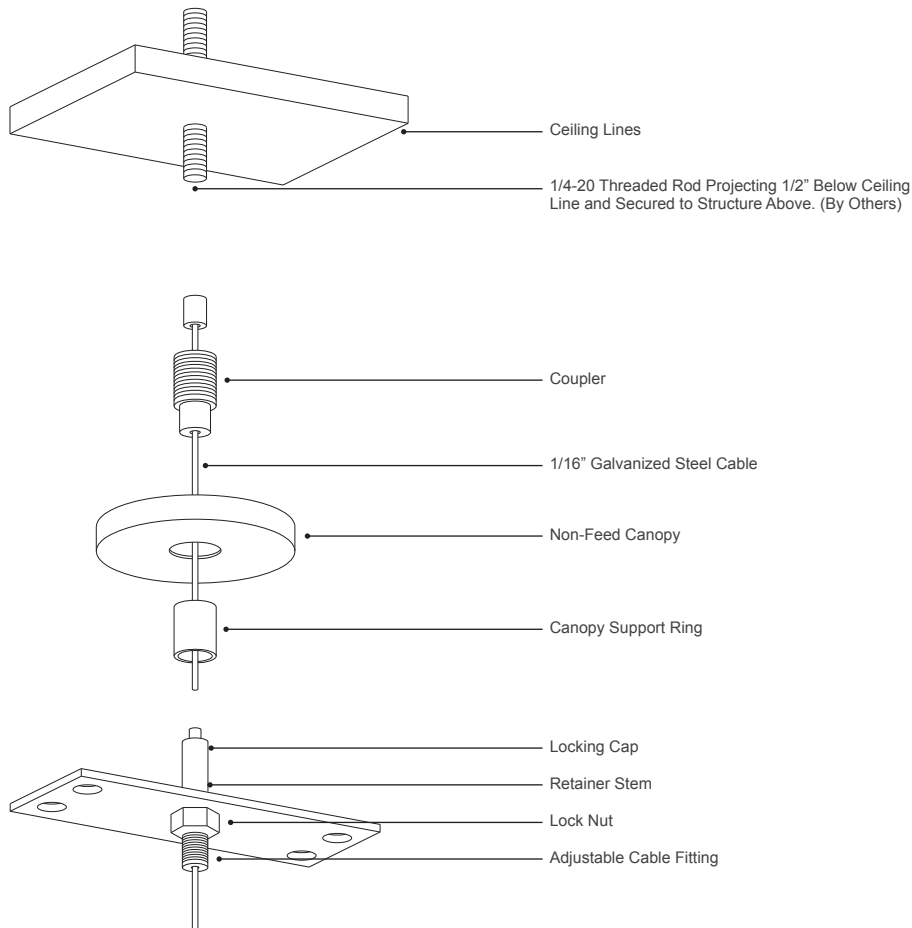
Step Four: Raise luminaire to cable assembly and route cable through the center of the adjustable cable fitting loosening the locking cap enough to allow cable to enter fitting. Feed cable through the adjustable fitting until desired mounting height is attained. Luminaire will be retained at the last point of adjustment. Tighten locking cap onto retainer stem.

NOTE: If it becomes necessary to re-adjust luminaire height, loosen locking cap and depress retainer stem while adjusting to desired position.

WARNING

BE CERTAIN TO SUPPORT LUMINAIRE INDEPENDENTLY OF CABLES WHEN DEPRESSING RETAINER STEM.

Figure 14



SAVE THESE INSTALLATION INSTRUCTIONS



Suspended Luminaire Installation Instructions

Off-Grid Mounting

FEED CABLE/CANOPY ASSEMBLY

Step One: Determine mounting cable spacing centers from factory shop drawing or order processing specification sheet and locate a 4" octagonal junction box at location indicated for incoming wire feed point.

Step Two:

OPTION 1: Install cross strap support bracket to junction box with screws by others. Be sure junction box can support luminaire/luminaire row in accordance with local codes as illustrated.

OPTION 2: Drill a 5/16" dia hole in the roof of the junction box. Position and secure a 1/4-20 threaded rod (by others) to structural support above so that it passes through the hole drilled in the junction box and extends 1/2" below the finished ceiling line.

Step Three: Insert cable supplied in kit through ceiling coupler in kit and attach to 1/4-20 stud securely. Remove threaded canopy support ring from coupler and slide canopy then support ring over cable and up to finished ceiling line. Loosely tighten support ring to locate canopy in place.

Step Four: Raise luminaire to cable assembly and route cable through the center of the adjustable cable fitting loosening the locking cap enough to allow cable to enter fitting. Feed cable through the adjustable fitting until desired mounting height is attained. Luminaire will be retained at the last point of adjustment. Tighten locking cap onto retainer stem.

NOTE: If it becomes necessary to re-adjust luminaire height, loosen locking cap and depress retainer stem while adjusting to desired position.

WARNING

BE CERTAIN TO SUPPORT LUMINAIRE INDEPENDENTLY OF CABLES WHEN DEPRESSING RETAINER STEM.

Step Five: Remove canopy support ring and route feed cord from luminaire through grommeted hole in canopy and into junction box. Connect feed cord to incoming power feed wires within j-box with appropriate connectors and install cord restraint as illustrated.

Step Six: Raise canopy up to finished ceiling line and locate with canopy support ring. Attach supplied tie straps around feed cord and cable at minimum of 36" on center.

ENERGIZE AND CHECK FOR PROPER OPERATION.

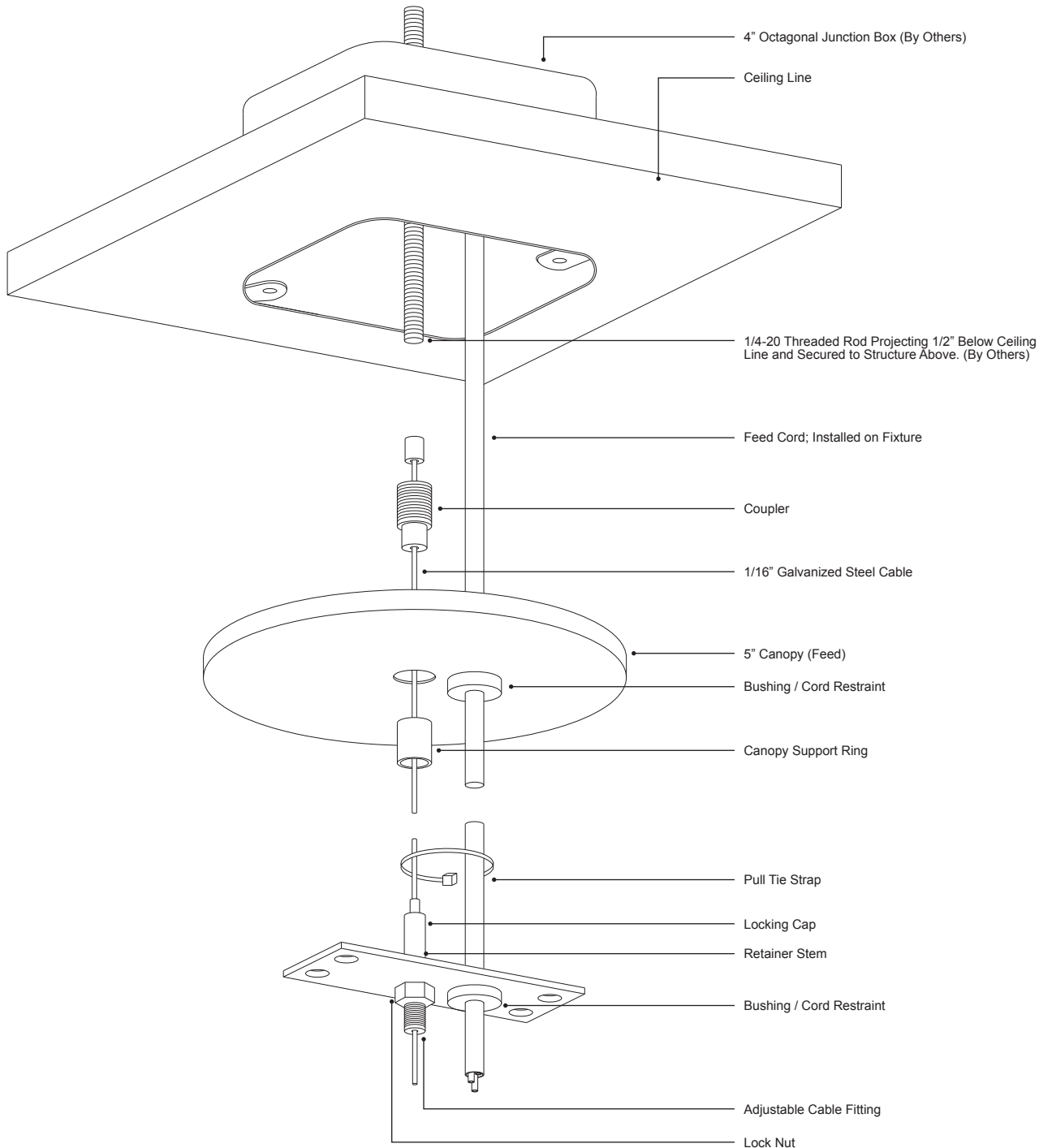
FIGURE 13 ON NEXT PAGE

SAVE THESE INSTALLATION INSTRUCTIONS

Suspended Luminaire Installation Instructions

Off-Grid Mounting

Figure 13



SAVE THESE INSTALLATION INSTRUCTIONS

Suspended Luminaire Installation Instructions

On-Grid Mounting

NON FEED CABLE/CANOPY ASSEMBLY

Step One: Determine mounting centers from factory shop drawing or order processing specification sheet.

Step Two: Installation of IDS clip onto T-BAR at appropriate locations. (REF. STEP 1 AND FIG. 16)

A. Assemble 1/4-20 stud and clip. Start stud into recessed square hole, grasp clip in hand and depress TAB A with thumb. Pull stud into place and release TAB A.

B. Separate clip into two parts by bending at TAB B.

C. Place PART X on T-BAR and insert base tab on part into slot. Close PARTS X and Y together locking with TAB C.

Step Three: Secure IDS clip to structural support above with minimum #12 gauge support wire in accordance with local codes. (REF FIG. 16)

Step Four: Insert cable supplied in kit through ceiling coupler in kit and attach to 1/4-20 stud on IDS clip securely. Remove threaded canopy support ring from coupler and slide canopy then support ring over cable and up to finished ceiling line. Tighten support ring to secure canopy in place.

Step Five: Raise luminaire to cable assembly and route cable through the center of the adjustable cable fitting, loosening the locking cap enough to allow cable to enter fitting. Feed cable through the adjustable fitting until desired mounting height is attained. Luminaire will be retained at the last point of adjustment. Tighten locking cap onto retainer stem.

WARNING

BE CERTAIN TO SUPPORT LUMINAIRE INDEPENDENTLY OF CABLES WHEN DEPRESSING RETAINER STEM.

Figure 15

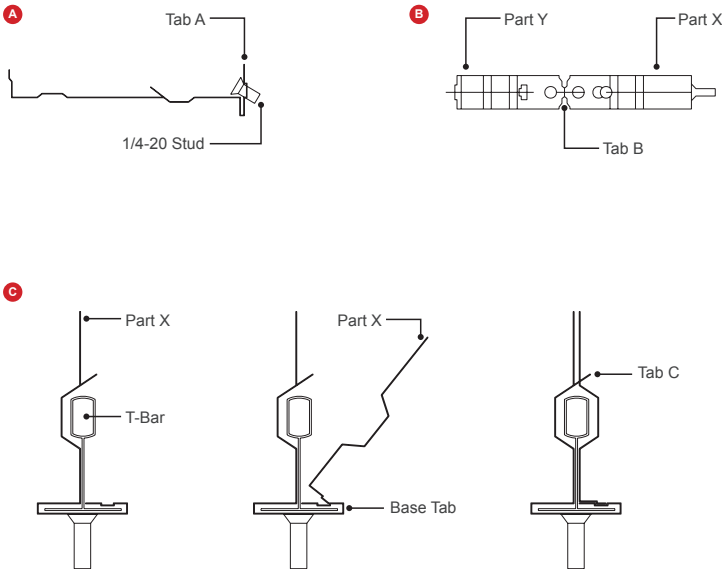
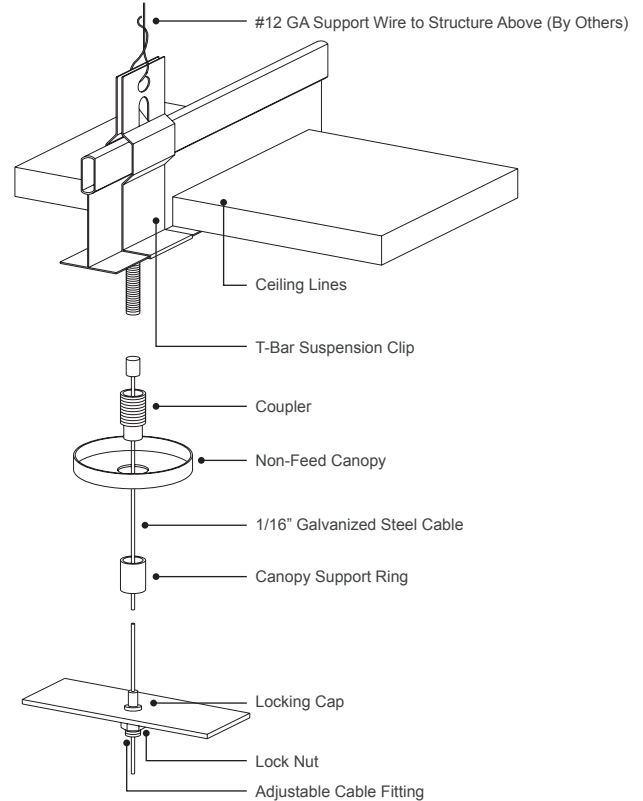


Figure 16



SAVE THESE INSTALLATION INSTRUCTIONS



Suspended Luminaire Installation Instructions

On-Grid Mounting

FEED CABLE/CANOPIY ASSEMBLY

Step One: Determine mounting cable spacing centers from the Fixture Row Layout Pages 5 - 7.

Step Two: Install 4" Drop Ceiling Junction Box (by others) over T-BAR (by others). Align the bottom edge of the Junction Box with the ceiling. Connect the conduit from the building power to the Junction Box. Attach the Cross Bar to the Junction Box.

Step Three: Insert the 1/16" steel cable supplied in the kit through the Coupler in the kit. Remove threaded Canopy Support Ring from Coupler. Attach Coupler to 1/4"-20 stud on Cross Bar securely.

Step Four: Remove the threaded Canopy Support Ring from Coupler. Slide 5" Canopy then Support Ring over the Coupler up to finished ceiling line. Tighten support ring to locate canopy in place.

Step Five: Raise luminaire to mounting/feed assembly and route the 1/16" steel cable through the center of the Adjustable Cable Gripper fitting loosening the locking cap enough to allow the 1/16" steel cable to enter fitting. Feed the 1/16" steel cable through the Adjustable Cable Gripper fitting until the desired mounting height is attained. The luminaire will be retained at the last point of adjustment. Tighten Locking Cap onto retainer stem.

NOTE: If it becomes necessary to re-adjust luminaire height, loosen locking cap, and depress retainer stem while adjusting to the desired position.

WARNING

BE CERTAIN TO SUPPORT LUMINAIRE INDEPENDENTLY OF CABLES WHEN DEPRESSING RETAINER STEM.

Step Six: SJT Cord comes installed on Fixture from the factory. Route feed power cord(s) from luminaire through the hole(s) in the canopy. Make wire connections within Junction Box with appropriate connectors and install Strain Relief as illustrated. Attach supplied tie straps around feed cord and cable at a minimum of 12" on center.

ENERGIZE AND CHECK FOR PROPER OPERATION.

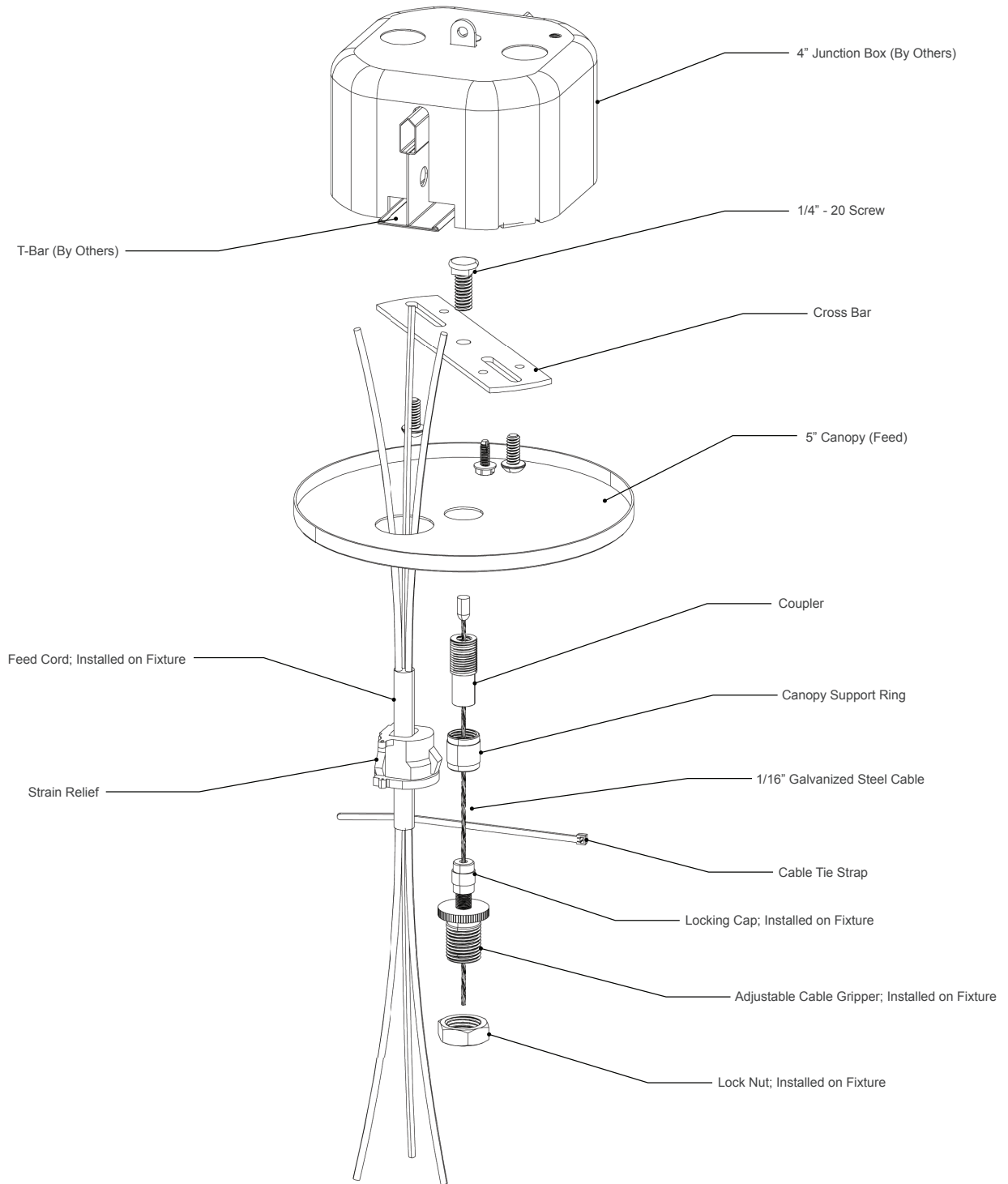
FIGURE 17 ON NEXT PAGE

SAVE THESE INSTALLATION INSTRUCTIONS

Suspended Luminaire Installation Instructions

On-Grid Mounting

Figure 17



SAVE THESE INSTALLATION INSTRUCTIONS