



## General Luminaire Installation Instructions

B25 Series Products

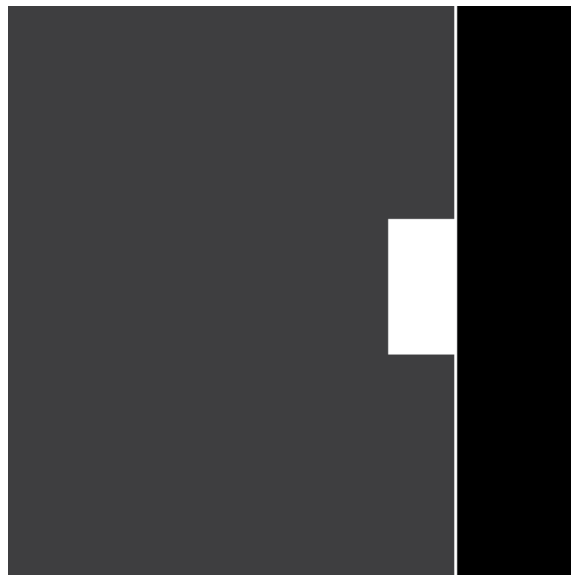
### WARNING

#### RISK OF DEATH, INJURY, OR PROPERTY DAMAGE FROM FIRE, ELECTRIC SHOCK, AND OTHER HAZARDS

- De-energize the circuit and/or equipment before connecting to, disconnecting from, or servicing electrical equipment
- Make sure the equipment is properly grounded.
- Read this document in full prior to installing, servicing, or maintaining this equipment. These instructions do not cover all installation, service, and maintenance situations. If your situation is not covered, or, if you do not understand these instructions or need additional information, contact Lumato Lighting or your local Lumato Lighting distributor.
- Installation and maintenance must be performed by qualified personnel familiar with the construction and operation of this product. All applicable local and national codes and ordinances must be followed.

### REQUIRED TOOLS

- Power Drill
- Philips Head Screwdriver
- Wire Strippers
- Box/Beam Level
- Chalk Snap Line
- Clorox. (or similar) Cleaner
  - In case of lens smudge during installation



**B25 Beam**  
2.625in x 5in

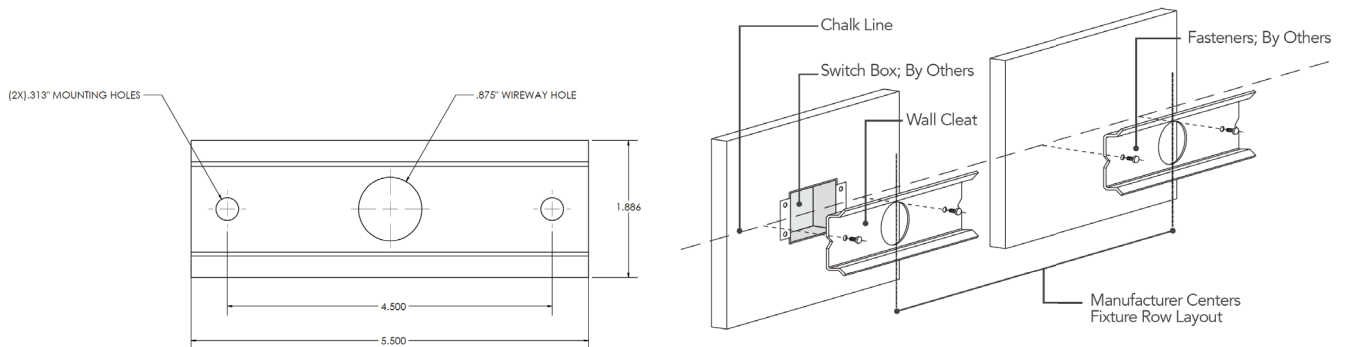
### SAVE THESE INSTALLATION INSTRUCTIONS

## General Luminaire Installation Instructions

### Individual Mounting

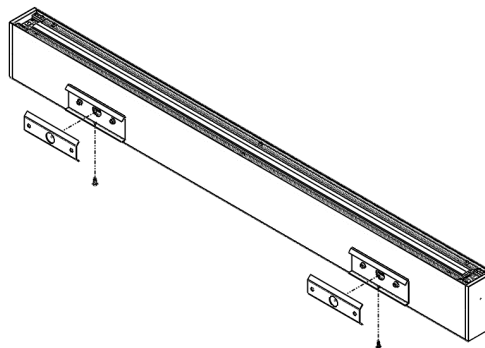
**NOTE:** Mounting cleats are to be installed with appropriate anchors “by others”. Mounting cleats are shipped with the product and should be installed in accordance with these instructions.

**FIGURE 1**



1. Using a wall cleat supplied with luminaire as a template, center over a horizontally mounted switch box, using the level to plumb wall cleat and mark (2) mounting holes. (Figure 1) Drill appropriate holes for mounting surface and fasteners to be used. Securely attach wall cleat to the wall.
2. Attach additional wall cleat(s) supplied to the mounting surface at the location(s) as specified at the end of this document. Ensure that all wall cleats are plumb and on the same centerline as the first one installed. All wall cleats should be centered over every set screw in luminaire housing.
3. Lower the top lip of wall bracket rails over the top lip of wall cleat by holding luminaire at a slight angle with the bottom of the unit away from the wall and the top of the unit at the wall. Run supply leads through wire feed hole ensuring that the wire leads are not being pinched, lower unit down into position. Install set screws so they are tight against the accompanying fixture-side wall bracket once fixture is set in place. (Figure 2)

**FIGURE 2**



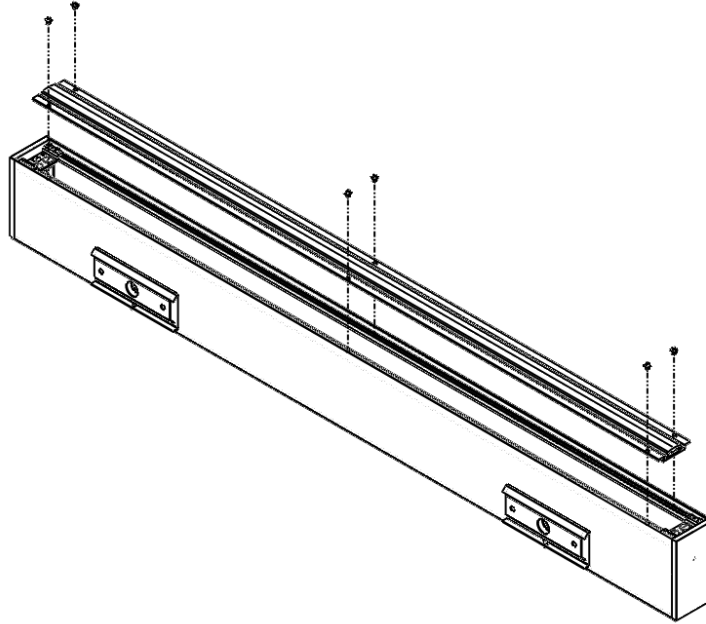
4. Connect incoming supply wire leads to luminaire wire leads using 90°C minimum rated supply wires and connectors inside the fixture, accessed by removing the 6x #8x.25 screws holding the top cover to the fixture. (Figure 3) Reinstall top cover and energize the fixture when ready.

**SAVE THESE INSTALLATION INSTRUCTIONS**

## General Luminaire Installation Instructions (Continued)

Individual Mounting

FIGURE 3



**SAVE THESE INSTALLATION INSTRUCTIONS**

## Row Mount Installation Instructions

B25 Series Products

### WARNING

Attempt to assemble a Continuous Row Luminaire on the ground and lifting row into the position may create stress at connection points and may result in damage and/or mechanical failure. Fixtures are meant to be installed at height.

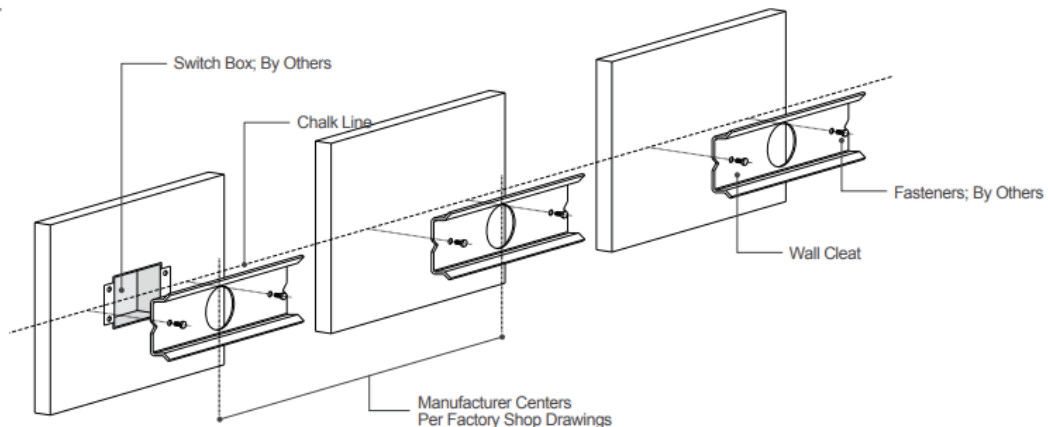
### REQUIRED TOOLS

- Power Drill w/ #2 Philips Head Bit - Torque  $\leq 10$
- Philips Head Screwdriver
- Box/Beam Level
- Chalk Snap Line
- 3/8" Socket & Ratcheting Socket Wrench
- Scissors
- Wire Strippers
- Clorox. (or similar) Cleaner
  - In case of lens or fixture smudge during installation

Locate and identify all Fixtures and Lens Kits that are needed to build the run. All Runs are built of Starter, Joiner, and Ender fixtures with a continuous roll in lens that is installed after the fixtures are hung. Consult the provided submittal drawing to reference these parts.

1. From center line of horizontally mounted switch box(es), snap a horizontal chalk line on wall to the right of J-box approximately the full length of luminaire row mounting centers.
2. Attach remaining wall cleats as instructed on previous page and on centers as specified on factory shop drawing or order guide supplied using chalk line a center line guide. (Figure 4)

FIGURE 4



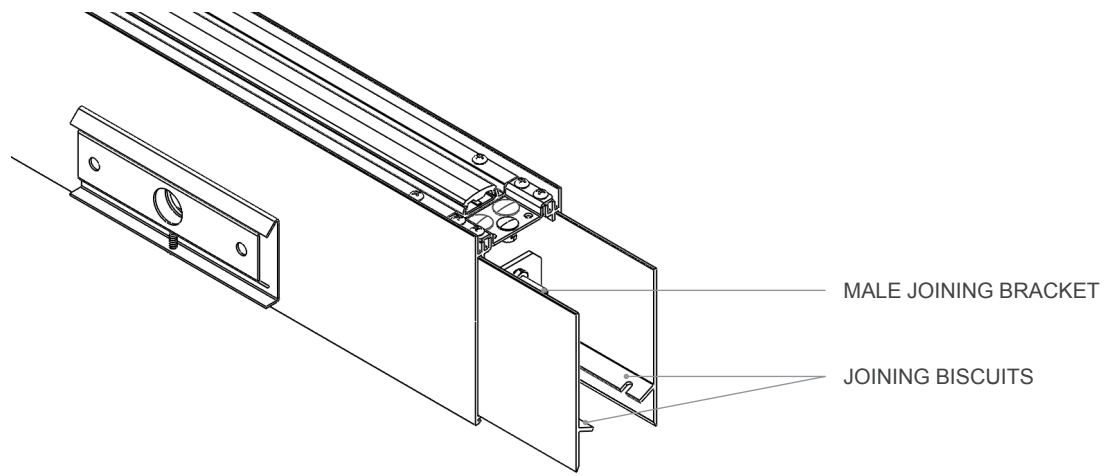
**SAVE THESE INSTALLATION INSTRUCTIONS**

## Row Mount Installation Instructions (Continued)

B25 Series Products

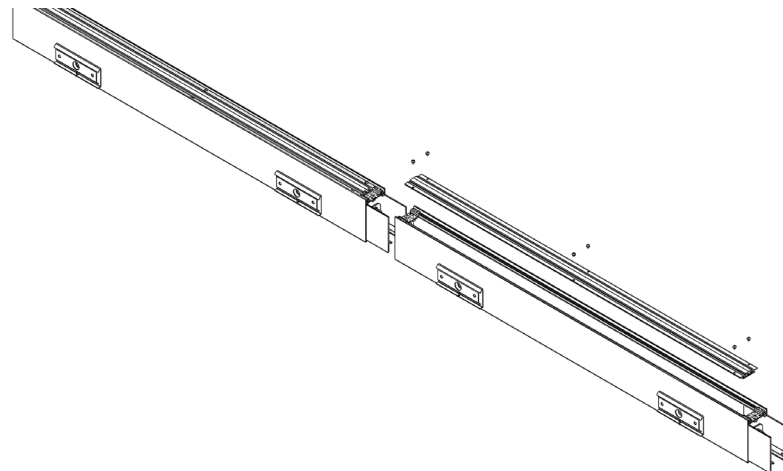
Locate and identify the Starter fixture for the run. (Figure 5) Note that this fixture has no end-cap and has the male joining bracket and joining biscuits protruding from one side of the fixture.

FIGURE 5



3. Install first fixture in row (STARTER) following instructions on previous page. Leave set screws on luminaire loose to allow for fixture joining and adjustment.
4. Locate the next fixture in the run by referencing the submittal and remove the top tray from the joining fixture being installed by unscrewing 6 Philips head screws and set aside. (Figure 6)
5. Align the female joining bracket to the preceding male joining brackets protruding from the fixture as well as hanging the fixture on its wall cleats. (Figure 6)

FIGURE 6



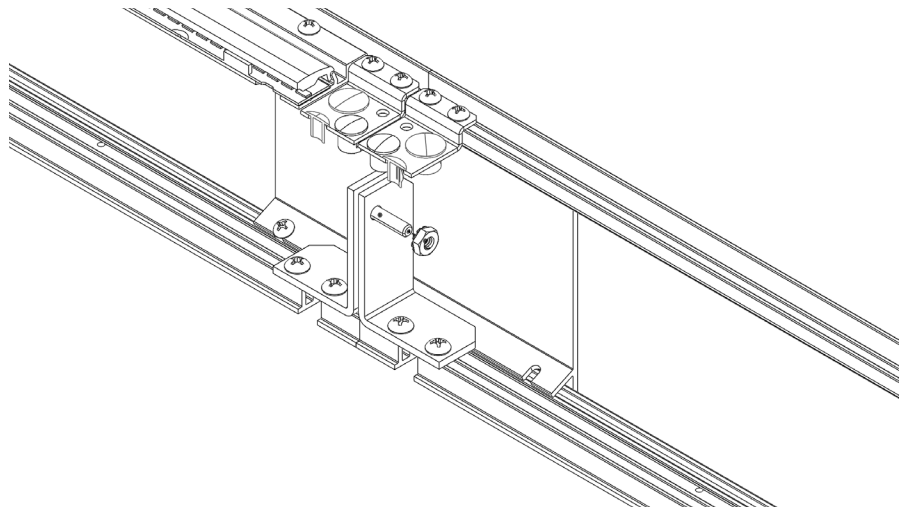
**SAVE THESE INSTALLATION INSTRUCTIONS**

## Row Mount Installation Instructions (Continued)

B25 Series Products

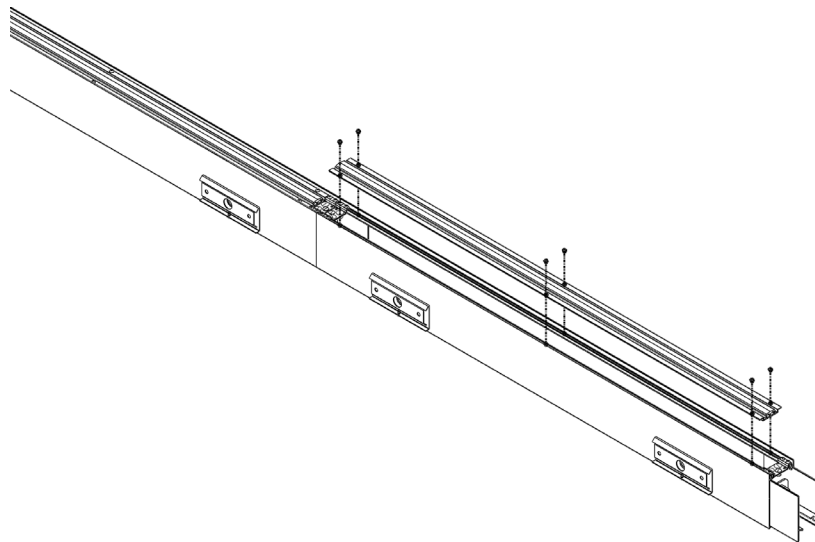
- Secure the two fixtures together by tightening the #10-24 nut with an  $\frac{3}{8}$ " wrench or ratchet. Feed the starter/previously joined fixture's wire harnesses into this new fixture for electrical connection. (Figure 7)

FIGURE 7



- Re-install the top cover using the 6 Philips head screws in Step 5. Ensure no wires or other components are pinched in the process. (Figure 8)

FIGURE 8



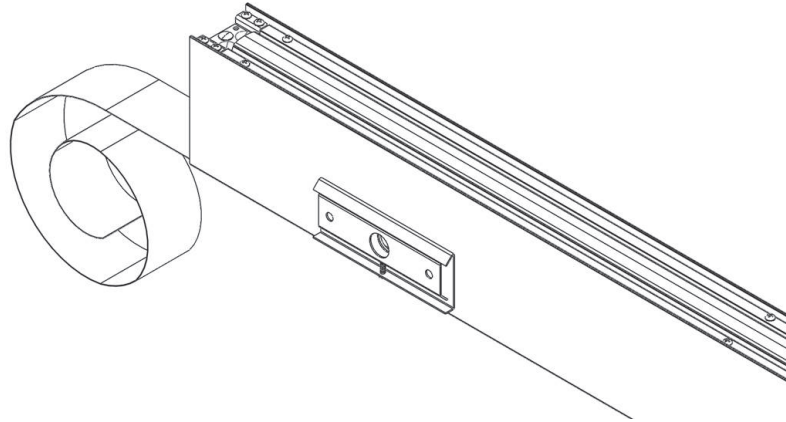
**SAVE THESE INSTALLATION INSTRUCTIONS**

## Row Mount Installation Instructions (Continued)

B25 Series Products

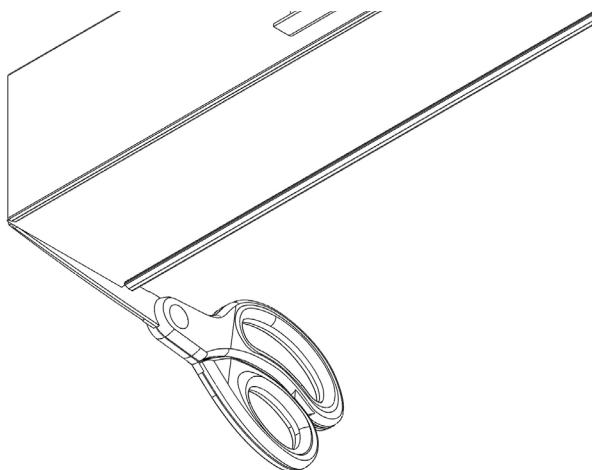
8. Continue to install Joiner fixtures repeating steps 2-6.
9. Locate and Identify Ender fixture. The Ender fixture will have one (1) End Cap attached. Install by repeating steps 2-6, following with tightening the set screws on all wall mounting brackets. Connect building power at this fixture following the instructions from STEP FOUR from the Individual Instructions previously listed.
10. Now that the row is hung, location and identify the Lens Kit. Lens kits are comprised of one (1) roll in lens, one (1) End Cap.
11. Beginning at the Starter fixture, slide the roll in lens into the lens slot at the open end of the fixture run. Continue to slide in until the lens butts up against the far endcap. (Figure 9)

FIGURE 9



12. Trim the excess lens that remains on the end of the run after the lens is fully engaged with the far end cap. Use scissors butted up to the fixture extrusion to make this cut leaving 1/8" still protruding from the run. (Figure 10)

FIGURE 10



**SAVE THESE INSTALLATION INSTRUCTIONS**

## Row Mount Installation Instructions (Continued)

B25 Series Products

13. Remove the top cover on the starter fixture so that you can access the end-caps attachment bracket and stud. (Figure 11)
14. Install end-cap on Starter fixture using the 3/8" socket to tighten the #10-24 nut on the end-cap's bolt feature. (Figure 12)

FIGURE 11

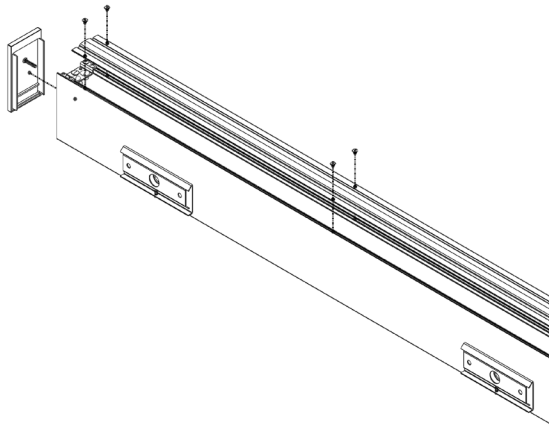
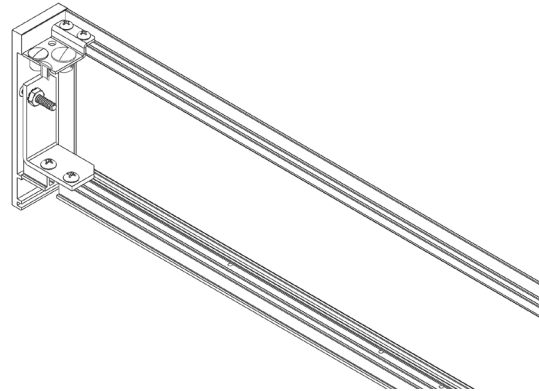


FIGURE 12



15. At the Ender fixture/power entry location, connect incoming supply wire leads to luminaire wire leads using 90°C minimum rated supply wires and connectors inside the fixture, accessed by removing the 6x #8x.25 screws holding the top cover to the fixture (refer to Figure 3). Reinstall top cover and energize the fixture when ready.

**SAVE THESE INSTALLATION INSTRUCTIONS**